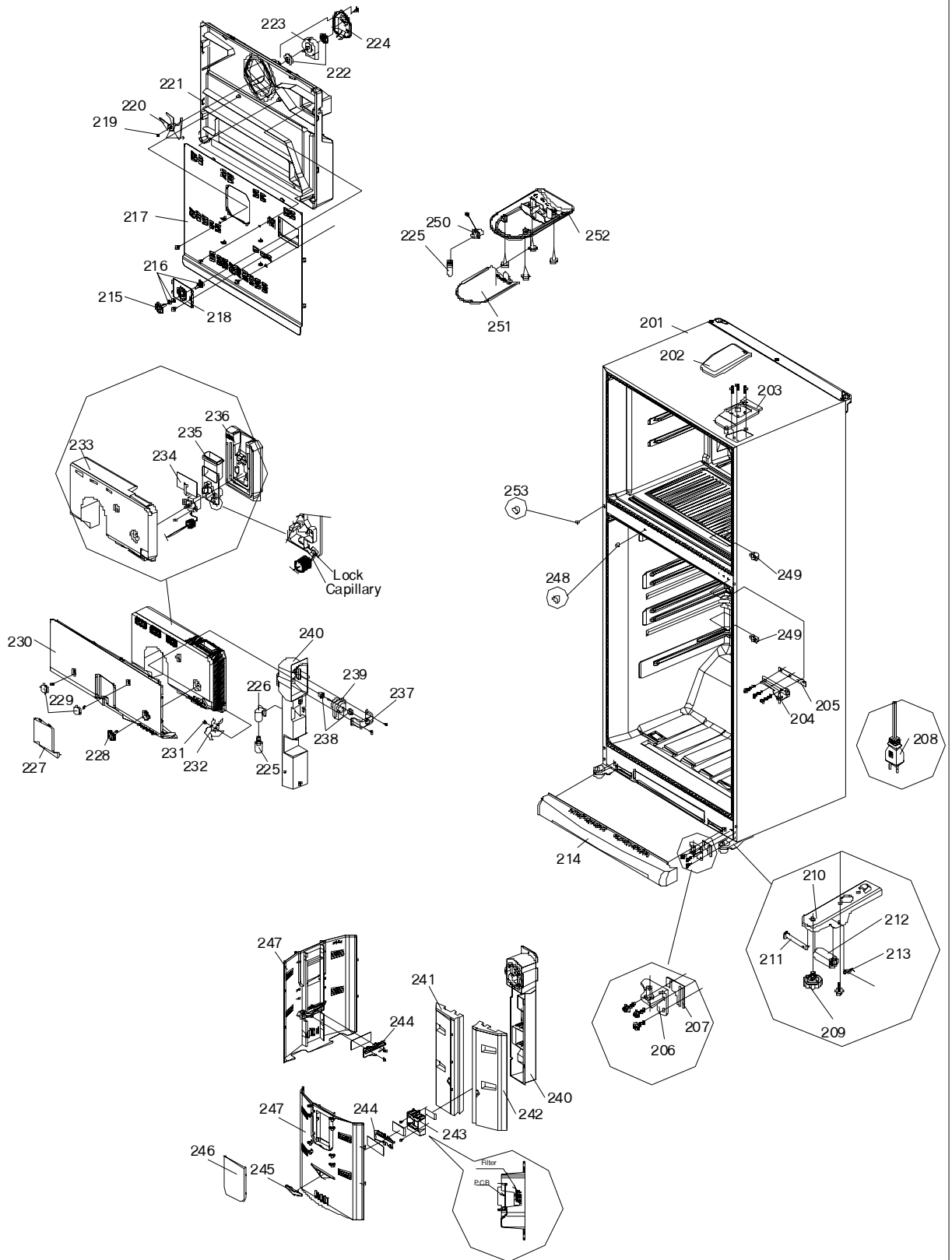


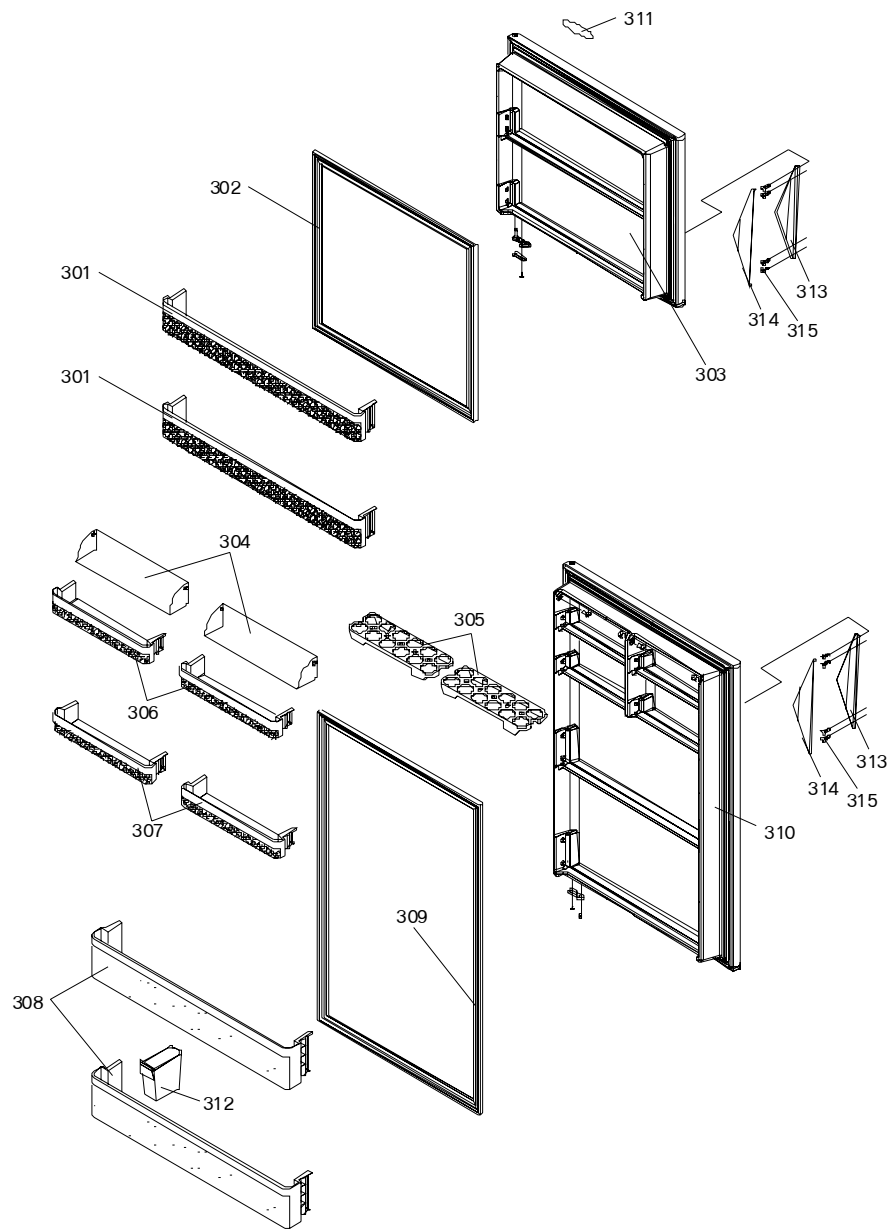
Parts List (Interior Set)

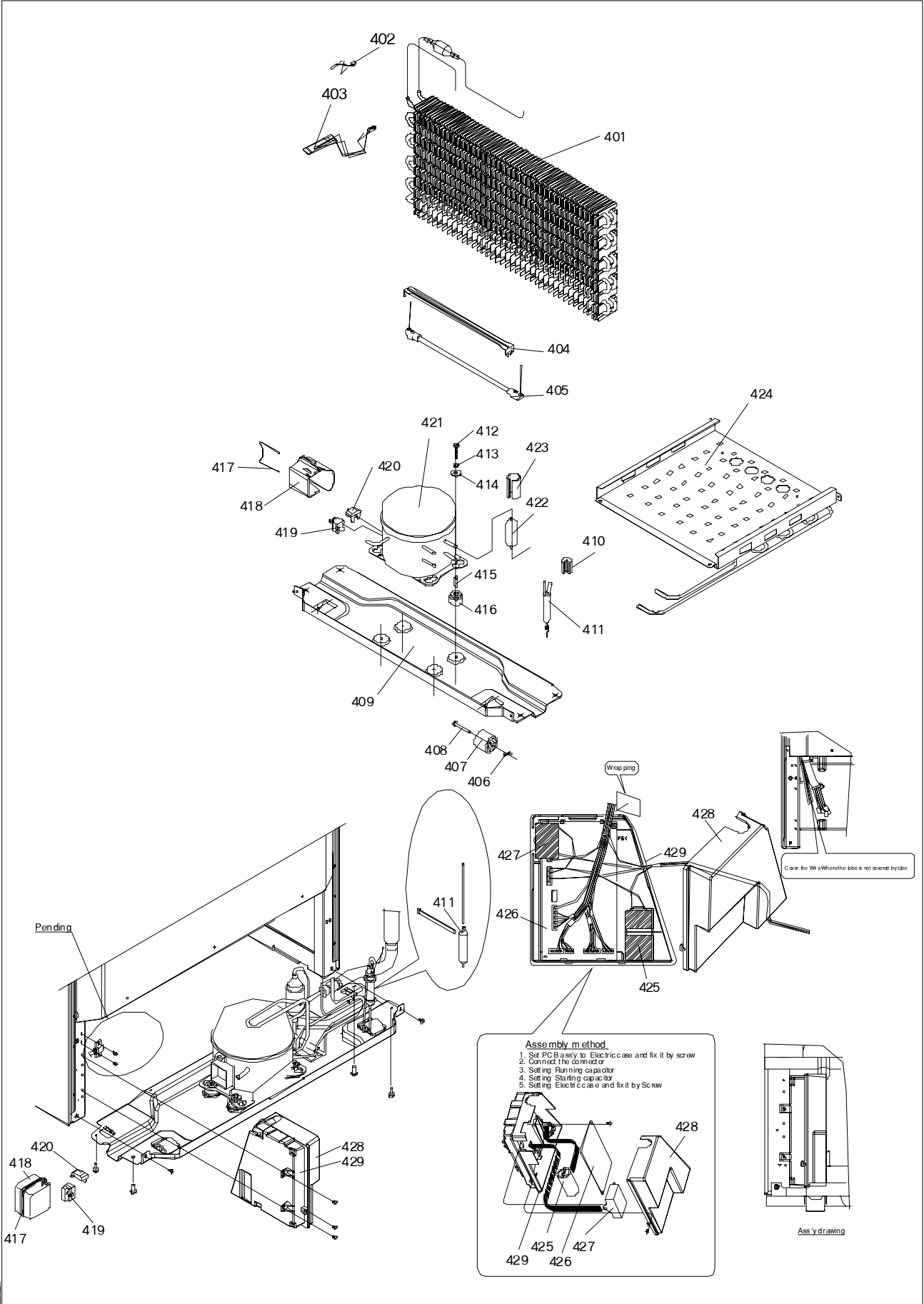
Item No.	Part No. (SUE)	Parts Code (14 Digits)	Part No. (Japan)	Part Name	Colour/Spec./Size	Q'ty	Remark
	15-1260-5017	-		FREEZER CORNER		1	
		-				1	
	18-1200-1145	-		ICE CUBE TRAY SPRING		3	
	15-1260-1041	-		ICE CUBE TRAY		3	
	15-1260-1046	-		FRAME ICE CUBE		1	
	15-1260-5018	-		TRAY CUBE BOX		1	
	15-1300-1019	-		SUPPORT 001		2	
		-				1	
		-				1	
	15-1300-1030	-		GROMMET 005		2	
	15-1230-1050	-		TRAY CHILLER 002		2	
		-				1	
		-				1	
	15-1210-5036	-		CRISPER PARTION		1	
	15-1210-5034	-				1	
	15-1280-1035	-		TRAY DRAIN		1	
		-				1	
		-				1	

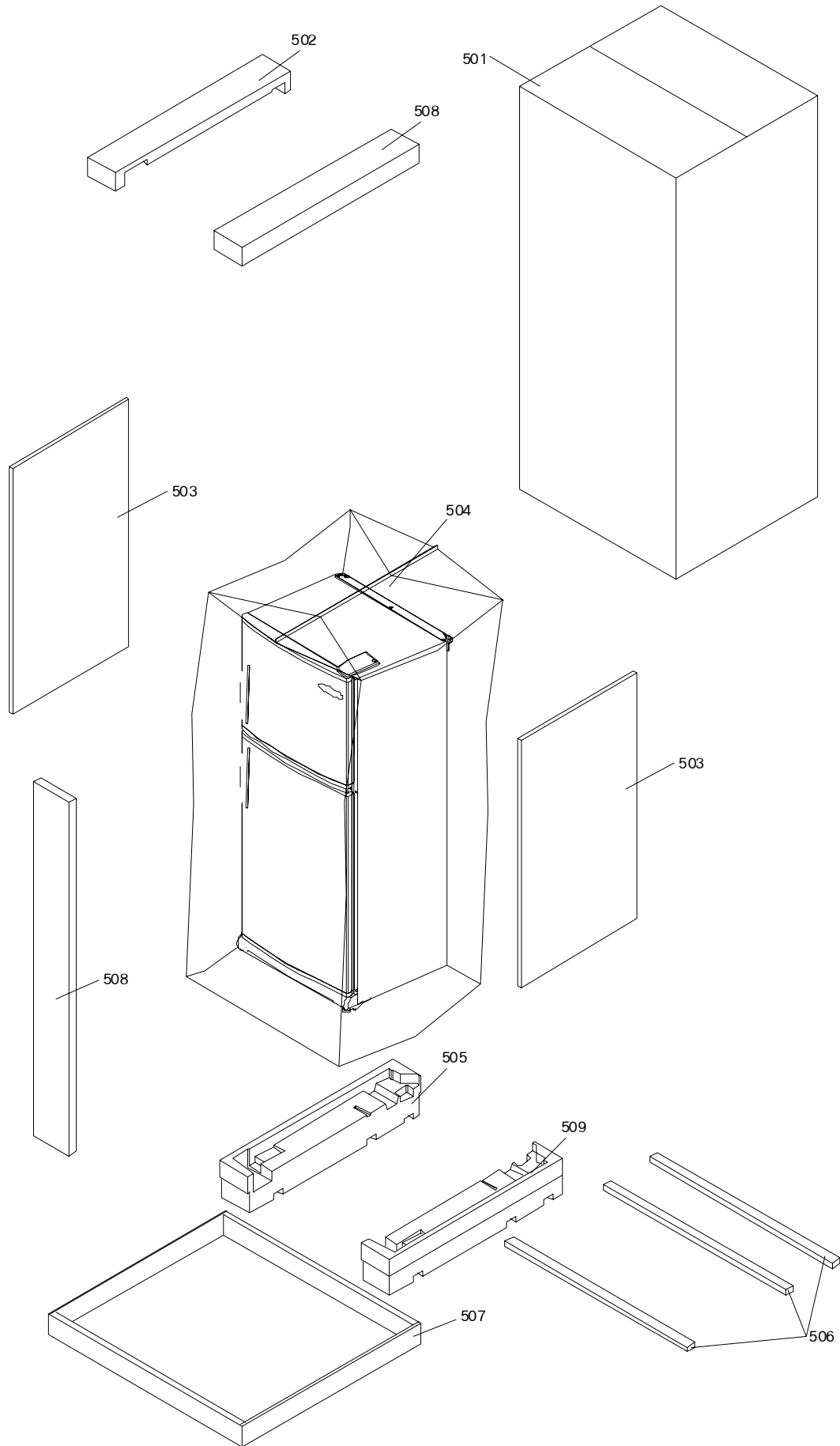


Parts List (Cabinet Set)

Item No.	Part No. (SUE)	Parts Code (14 Digits)	Part No. (Japan)	Part Name	Colour/Spec./Size	Q'ty	Remark
	18-8410-5577	-		FR CAB FOAM SET	SS		
	18-8410-5578	-		FR CAB FOAM SET	SL		
	15-1580-1066	-		COVER HINGE TOP	SS	1	
	15-1580-1064	-		COVER HINGE TOP	SL	1	
	14-1400-1054	-		HINGE TOP ASS'Y		1	
	14-1400-1052	-		HINGE F-R ASS'Y		1	
	14-3400-1064	-		SHIM 001		1	
	14-1400-1055	-		HINGE BOTTOM ASS'Y		1	
	14-3400-1065	-		SHIM HINGE BOTTOM		1	
	18-1810-1032	-		POWER CORD		1	
	18-1400-1037	-		LEG 151		2	
	14-1400-1012	-		LEG 005		2	
	18-1200-1018	-		ROLLER SHAFT		2	
	15-1400-1002	-		CASTOR 109		2	
	18-1200-1017	-		ROLLER SHAFT LOCK		2	
	15-1440-1072	-		KICK PL	SS	1	
	15-1440-1070	-		KICK PL	SL	1	
	15-1330-1043	-		KNOB THERMO F		1	
	18-4300-1010	-		VOLUME ASS'Y		1	
	15-1300-1129	-		F.F. COVER		1	
	15-1300-5010	-		COVER 002		1	
	18-2200-1118	-		FAN RING		1	
	18-2750-1125	-		FAN BLADE F 120 mm.		1	
	15-1300-1152	-		PLATE MTG MOTOR 001		1	
	18-1300-1138	-		GROMMET 093		2	
	18-2750-1121	-		FAN MOTOR F	# DG8-013A 12M	1	
	15-1300-1151	-		COVER FAN MOTOR		1	
	18-1300-1107	-		LAMP T20 (E12)	240V.,10W	2	
	18-1380-1035	-		R LAMP SOCKET (E12)		1	
	15-1300-1135	-		R FAN COVER		1	
	15-1330-1042	-		KNOB THERMO R		1	
	15-1300-1027	-		COVER CAP 236		1	
	15-1320-5008	-		COVER THERMO		1	
	18-2200-1044	-		FAN RING		1	
	18-2750-1124	-		FAN BLADE R 80 mm.		1	
	18-1150-0019	-		INSULATION 001		1	
	18-1310-1031	-		DAMPER THERMOSTAT	# MMI 6181	1	
	15-1300-1092	-		CASE DAMPER		1	
	18-1150-0020	-		INSULATION 002		1	
	14-1400-1028	-		PLT MTG FAN MOTOR		1	
	18-1300-1084	-		GROMMET 806		2	
	18-2750-1122	-		FAN MOTOR R	# ML2-E011 F5MK	1	
	15-1300-1137	-		PLATE MTG 008		1	
	18-1150-0026	-		INSULATION L 010		1	
	18-1150-0027	-		INSULATION R 009		1	
	15-1300-1138	-		PLATE MTG 001		1	
	15-1300-1139	-		PLATE MTG (V LED) 004		1	
	15-1300-1136	-		LED COVER		1	
	15-1300-1140	-		SHIELD LIGHT R		1	
	15-1300-5007	-		DUCT 001		1	
	18-1200-1250	-		GROMMET	WW	1	
	18-1300-1124	-		DOOR SWITCH	# D3D-111	2	
	18-1380-1038	-		F LAMP SOCKET (E12)		1	
	15-1380-1004	-		FREEZER SHIELD LIGHT		1	
	15-1380-1002	-		FREEZER LAMP COVER		1	
	18-1200-5047	-		GROMMET	SS	1	
		-		GROMMET	SL	1	







Available colour for each countries

Item No.	Destination	Available Colour	Cabinet Colour / Door Frame Colour	Product Code	Remark
			Semingloss Black / Stanless SB (NW-F6) / Stanless Look		