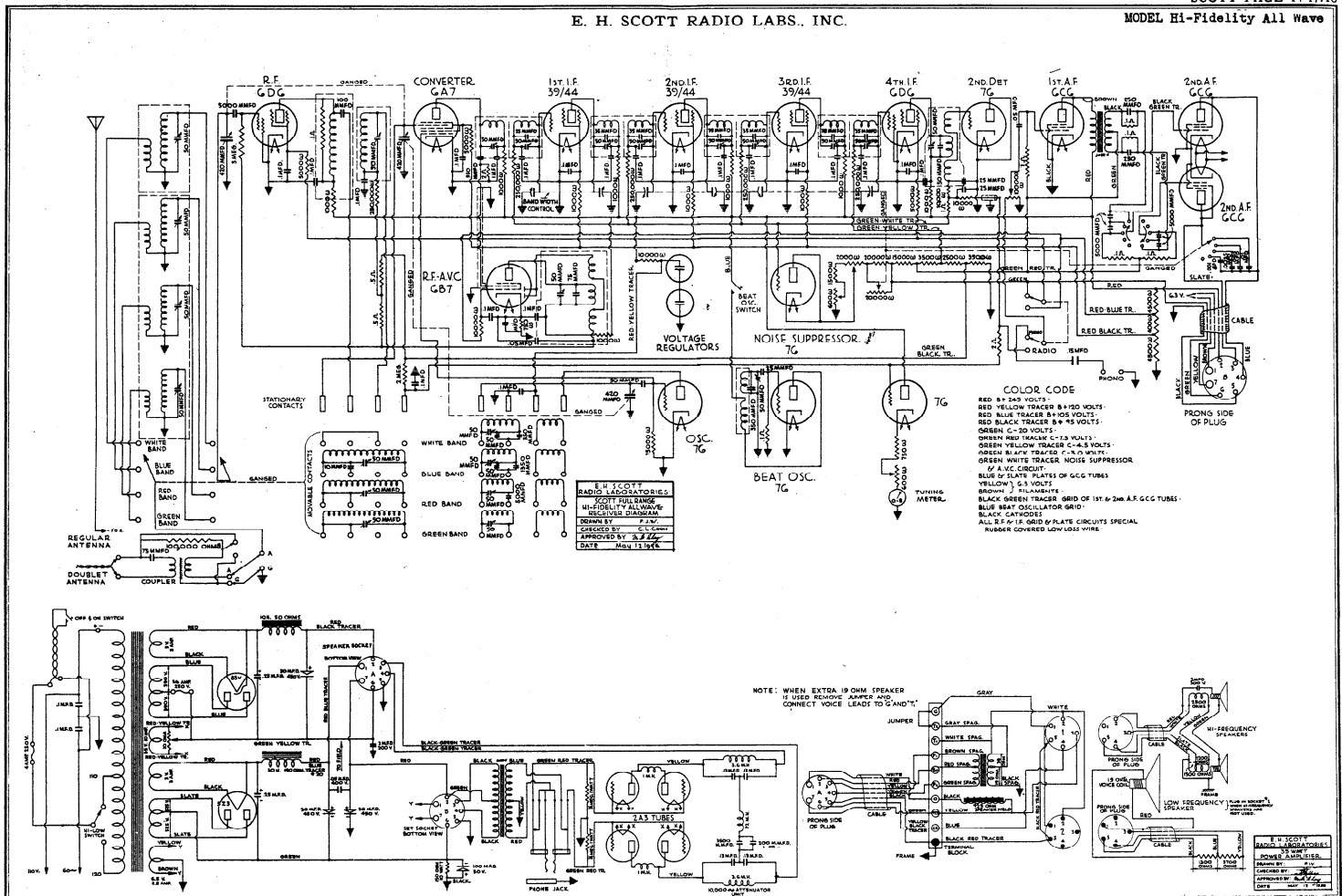


E. H. SCOTT RADIO LABS., INC.

MODEL Hi-Fidelity All Wave



COLOR CODE
 RED # 243 VOLTS
 RED YELLOW TRACER # 400 VOLTS
 RED BLUE TRACER # 408 VOLTS
 RED BLACK TRACER # 495 VOLTS
 GREEN C-30 VOLTS
 GREEN RED TRACER C-13 VOLTS
 GREEN YELLOW TRACER C-18 VOLTS
 GREEN BLUE TRACER C-19 VOLTS
 GREEN WHITE TRACER NOISE SUPPRESSOR
 OF A.V.C. CIRCUIT
 BLUE OR SLATE PLATES OF G.C.C. TUBES
 YELLOW 1.5 VOLTS
 BROWN 1.5 VOLTS
 BLACK GREEN TRACER GRID OF 1st & 2nd AF G.C.C. TUBES
 BLUE BEAT OSCILLATOR GRID
 BLACK CATHODES
 ALL 2nd AF GRID BY PLATE CIRCUITS SPECIAL
 ALL GRID COVERED LOW LOSS WIRE

NOTE: WHEN EXTRA 19 OHM SPEAKER
 IS USED REMOVE JUMPER AND
 CONNECT VOICE LEAD TO G AND T¹