

(21) Int. Application Number: PCT/US97/20413

(22) Int. Filing Date: 12 November 1997 (12.11.1997)

(30) Priority Data

60/030,988 15 November 1996 US (15.11.1996)

08/845,866 28 April 1997 US (28.04.1997)

(51) International Patent Classification⁶: G08B 29/06, G01R 31/11

A1

(11) Int. Publication Number: WO 98/21701

(43) Int. Publication Date: 22 May 1998 (22.05.1998)

(71)(72) Applicant and Inventor:

JACKSON, John, T., Jr
Suite 745, 316 California Avenue, Reno, NV 89509 ; (US). [US/US].

(74) Agent:

LINDEMAN, Jeffrey, A.
Morgan, Lewis & Bockius, 1800 M Street, N.W., Washington, DC 20036 ; (US).

(81) Designated States:

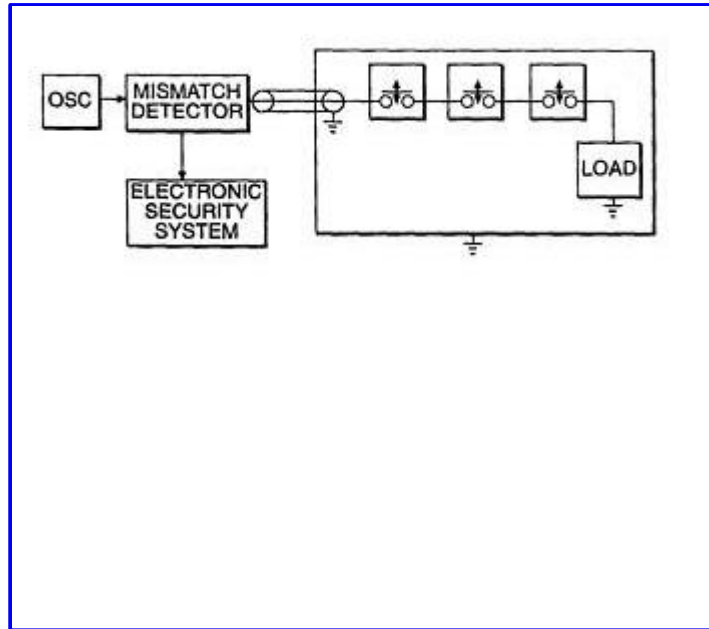
AL, AM, AT, AU, AZ, BA, BB, BG, BR, BY, CA, CH, CN, CU, CZ, DE, DK, EE, ES, FI, GB, GE, GH, HU, ID, IL, IS, JP, KE, KG, KP, KR, KZ, LC, LK, LR, LS, LT, LU, LV, MD, MG, MK, MN, MW, MX, NO, NZ, PL, PT, RO, RU, SD, SE, SG, SI, SK, SL, TJ, TM, TR, TT, UA, UG, UZ, VN, YU, ZW ; ARIPO patent (GH, KE, LS, MW, SD, SZ, UG, ZW); Eurasian patent (AM, AZ, BY, KG, KZ, MD, RU, TJ, TM); European patent (AT, BE, CH, DE, DK, ES, FI, FR, GB, GR, IE, IT, LU, MC, NL, PT, SE); OAPI patent (BF, BJ, CF, CG, CI, CM, GA, GN, ML, MR, NE, SN, TD, TG)

Published

With international search report.

Before the expiration of the time limit for amending the claims and to be republished in the event of the receipt of amendments.

(54) Title: BALANCED TYPE MAGNETICALLY ACTUATED PROXIMITY SWITCH AND RADIO FREQUENCY MONITORING SYSTEM



(57) Abstract

A monitored security switch assembly includes a switching system, a transmission line, and a monitoring system. The switching system has a load element. The security switch assembly uses an oscillatory voltage to determine if the monitoring system, the switching system and the transmission line are impedance matched. The security switch system can function in a transmission mode or a reflection mode.