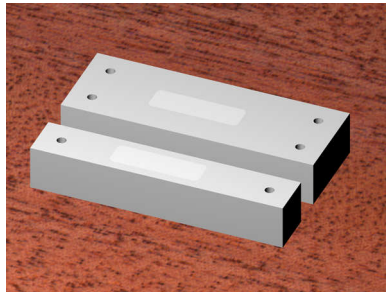


# Jackson Magnetic Switch

## ULTRAHIGH SECURITY SWITCH Technical Specifications Model MD100



**Novel Switching Action**  
**Triple Balanced Switching**  
**All Climate Design**  
**Medium Profile**

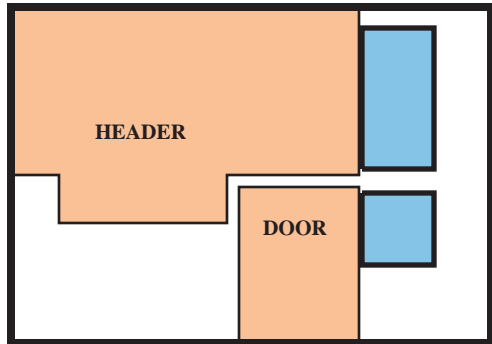
<b>Voltage Maximum</b>	<b>48 VDC</b>
<b>Current Maximum</b>	<b>350 milliAmps</b>
<b>Power Maximum</b>	<b>15 Watts</b>
<b>Actuating Gap</b>	<b>0 to 0.45 inches</b>
<b>Temperature Range</b>	<b>-40 C to 100 C</b>
<b>MTBF*</b>	<b>1,000,000 Full Load 10,000,000 Dry Circuit</b>

**Environment:** This high security switch is suitable for all climates from Antarctica to the Sahara Desert. The device will not bio-degrade or deteriorate in tropical zones. The device is fully functional from sea level to suborbital altitudes provided temperature limits are not exceeded.

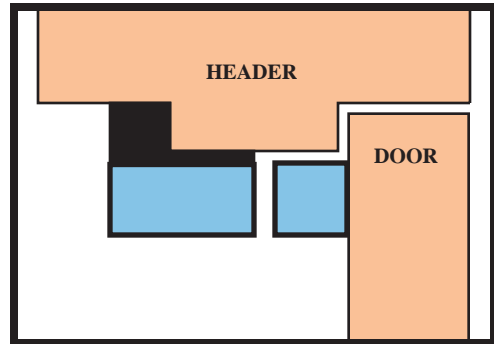
\* The Mean Time Between Failures (MTBF) specification assumes a resistive load. The MTBF for any particular reactive load must be determined empirically in all cases and varies with temperature, altitude, and the specific auxiliary contact protection circuitry used. Therefore, it is not specified. Contact technical assistance for help with reactive loads and auxiliary contact protection circuits.

# Jackson Magnetic Switch

## MOUNTING STYLES



Mounting Style # - M1

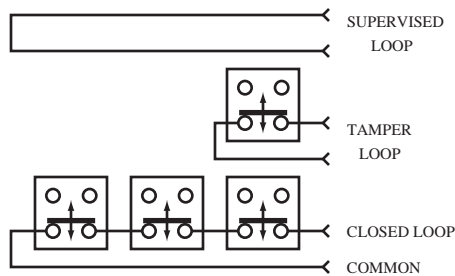


Mounting Style # - M3

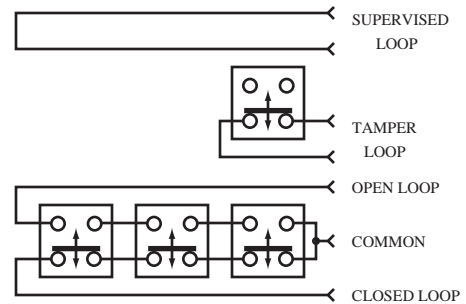
There is no minimum spacing or gap between the switch and the actuator. Installation with the gap or other position parameters near their maximum ranges should be avoided. Proper alignment can be accomplished with provided spacers. Careful alignment during installation will insure reliable operation during normal settling or shifting of the door relative to the header. Our technical staff is available to train installers.

## WIRING OPTIONS

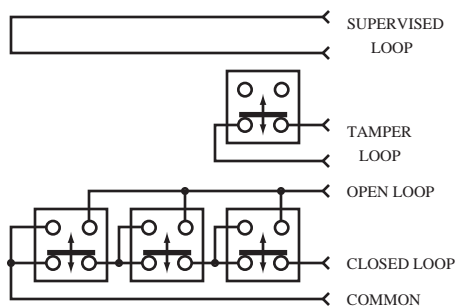
Diagrams show secured switch position - actuator in range



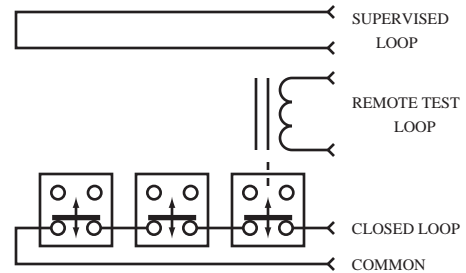
Circuit # - C4



Circuit # - C5

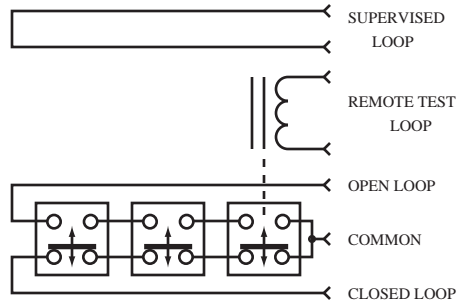


Circuit # - C6

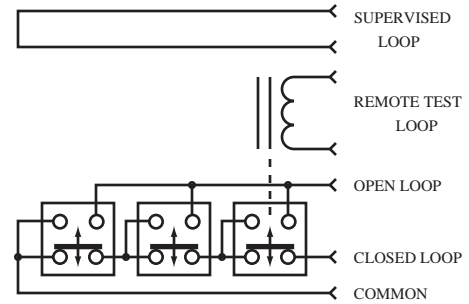


Circuit # - C7

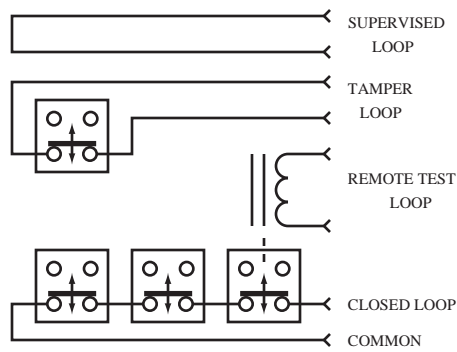
# Jackson Magnetic Switch



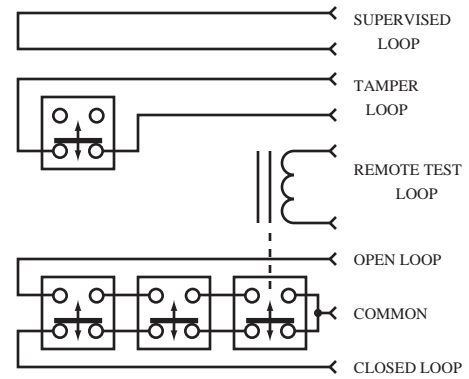
**Circuit # - C8**



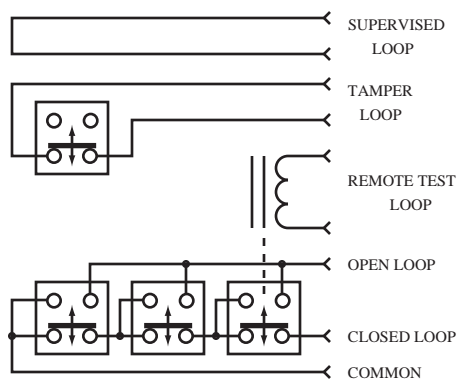
**Circuit # - C9**



**Circuit # - C10**



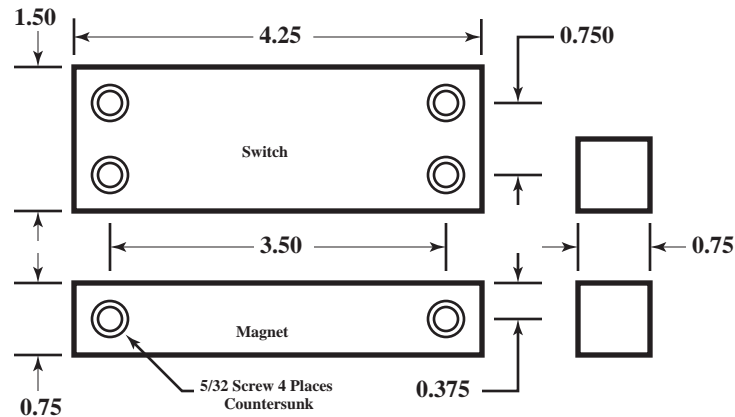
**Circuit # - C11**



**Circuit # - C12**

# Jackson Magnetic Switch

## MECHANICAL SPECIFICATIONS



**Case:** Anodized Aluminum Extrusion

**Finish:** Satin (SF), Brushed (BF)

**Cable Length:** 36 inches Flexible Armor

**Wire Gauge:** 24 AWG Stranded - Wires not color coded (Removable Labels)

**Note:** Hole position for Mounting Style # - M1 is shown above. Hole orientation varies with mounting style. All other dimensions remain unchanged.

**Part Number Construction:** SLM100-Mounting Style #-Circuit #-Finish

Example SLM100-M1-C12-SF

**International Patents Issued and Pending**