



**Idea Plan
Sheep Housing, Fencing, Feeders, and Equipment**

No. IP 725-24

This Idea Plan is intended to provide educational information and ideas concerning housing; fence and creep panels; hay, grain, and mineral feeders; and a tilting squeeze for use with sheep. The following attached drawings are based on historical plans and may not meet design and construction standards for your area:

- Pen Panel and Portable Fence for Sheep (PSU 86)
- Fencing and Creep Panels for Sheep (PSU 60)
- Hay & Grain Feeder for 12 Sheep or Goats (PSU 80)
- Hay Feed Rack for Sheep (PSU 82)
- Mineral Feeder for Sheep (USDA 5916)
- Creep and Grain Trough for Lambs (PSU 87)
- Tilting Squeeze for Sheep (USDA 6006)
- Sheep and Lambing Shed (USDA 5919)
- Portable Shelter (PSU 01)

If you decide to build a facility similar to any of these plans, be sure to check building requirements for your area. Your local building inspector, engineer, building supplier, or building contractor can help you determine what is a safe and legal facility for housing sheep in your area. In addition to the rules and regulations covering design and construction of buildings, be sure to consider how you will handle the manure and potential nuisance problems for neighbors, including flies, odor, and noise.

The Department of Agricultural and Biological Engineering at Penn State has a variety of educational material available related to agricultural and biological engineering. This material is intended to help Pennsylvania farmers and others develop buildings and facilities for modern, environmentally-compatible farm facilities. The material can be used in conjunction with county extension staff, builders, suppliers, consulting engineers, the Natural Resources Conservation Service, financial management advisors, farm lenders, veterinarians, and others to assemble a facilities plan suitable for local conditions.

Publications are available in the areas of agricultural safety and health, animal housing systems, building and farmstead planning, crops and greenhouses, machinery systems and tractors, residential housing, soil and water resources, and solid waste management. Contact your county Penn State Extension Office for more information on these subjects. You can also obtain an index of publications concerning the above areas by calling, writing, faxing or e-mailing:

Department of Agricultural and Biological Engineering
 246 Agricultural Engineering Building
 University Park, PA, 16802-1909
 Telephone: 814-865-7685 Fax: 814-863-1031 E-mail: agbioeng@psu.edu.

For more complete information, the following comprehensive handbook covering the many aspects of sheep housing and equipment is available:

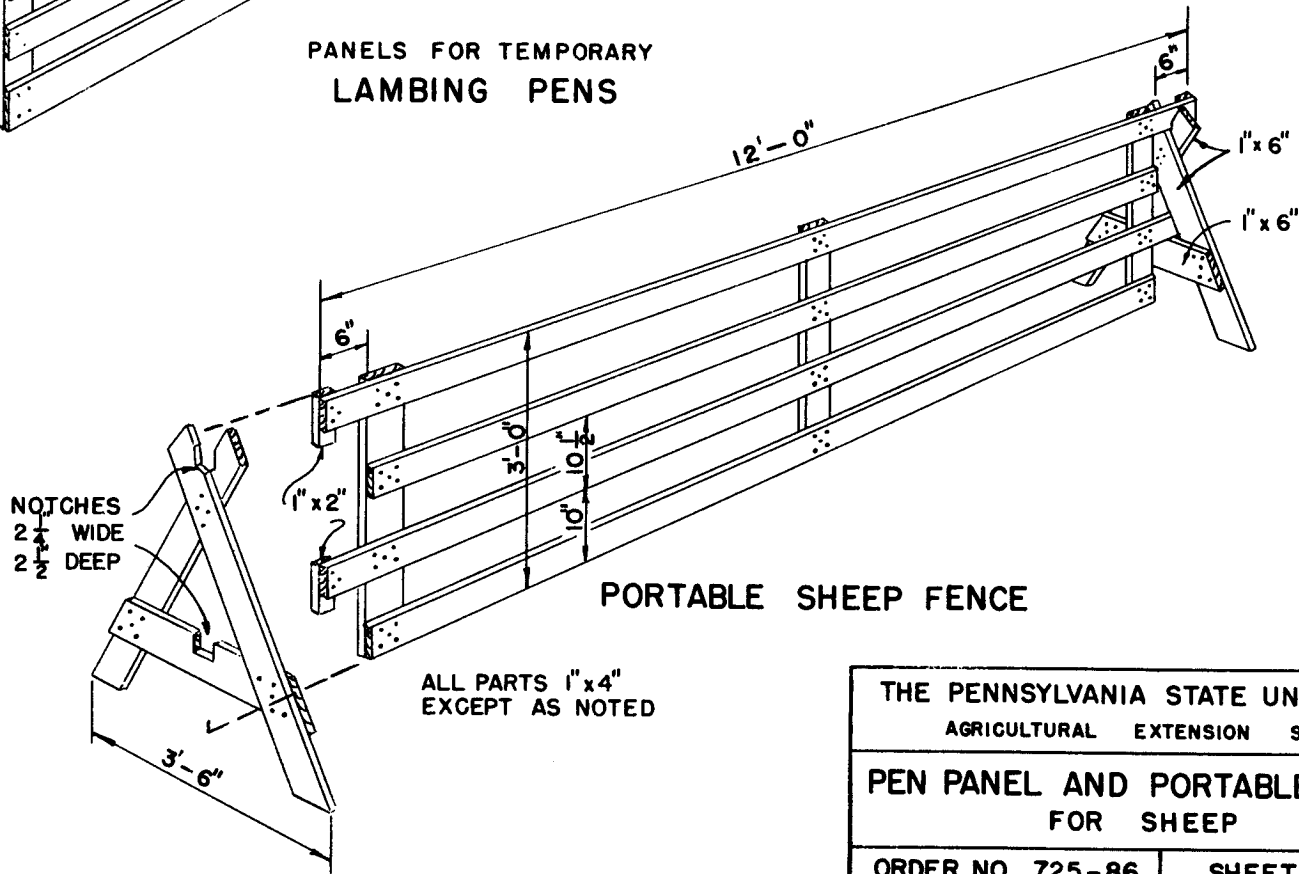
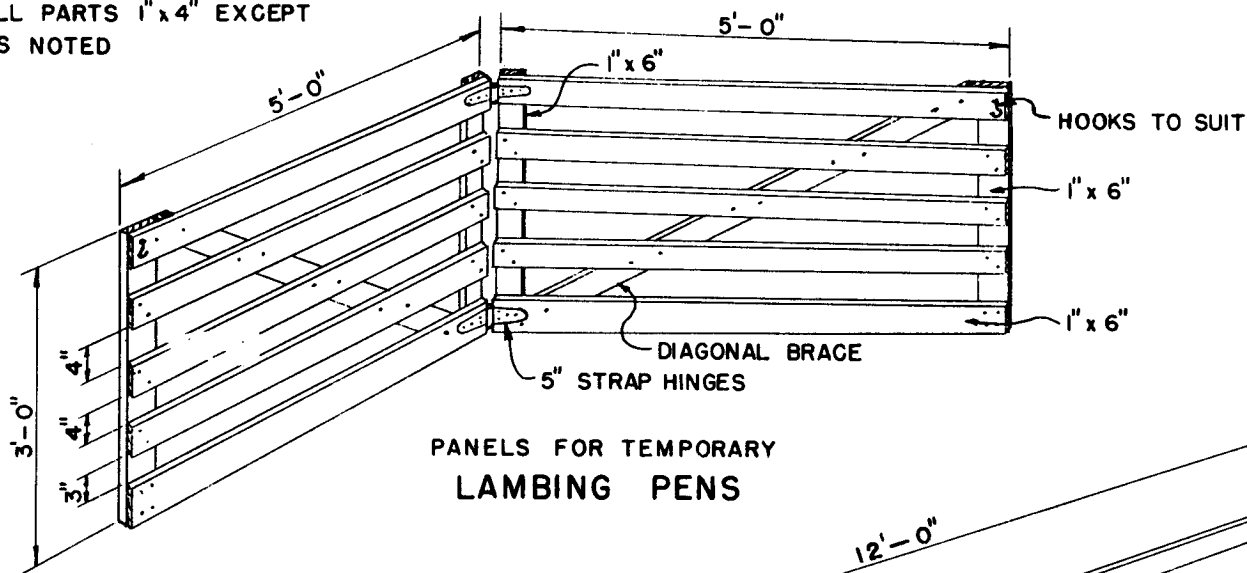
MWPS-03—Sheep Housing and Equipment Handbook (1994).
 \$10.00 (Contact office below for current pricing).

Order from your local county Penn State Cooperative Extension Office or the Publications Distribution Center, The Pennsylvania State University, 112 Agricultural Administration Building, University Park, PA 16802-2602 (Telephone: 814-865-6713 or Fax: 814-863-5560).

This publication is available in alternative media on request.

The Pennsylvania State University is committed to the policy that all persons shall have equal access to programs, facilities, admission, and employment without regard to personal characteristics not related to ability, performance, or qualifications as determined by University policy or by state or federal authorities. The Pennsylvania State University does not discriminate against any person because of age, ancestry, color, disability or handicap, national origin, race, religious creed, sex, sexual orientation, or veteran status. Direct all inquiries regarding the nondiscrimination policy to the Affirmative Action Director, The Pennsylvania State University, 201 Willard Building, University Park, PA 16802-2801; tel. (814) 863-0471; TDD (814) 865-3175.

ALL PARTS 1" x 4" EXCEPT
AS NOTED



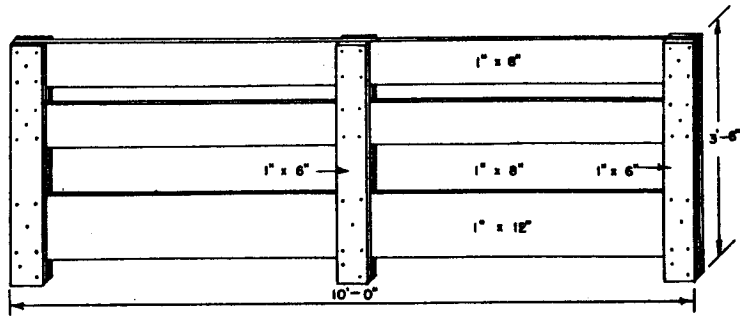
THE PENNSYLVANIA STATE UNIVERSITY
AGRICULTURAL EXTENSION SERVICE

PEN PANEL AND PORTABLE FENCE
FOR SHEEP

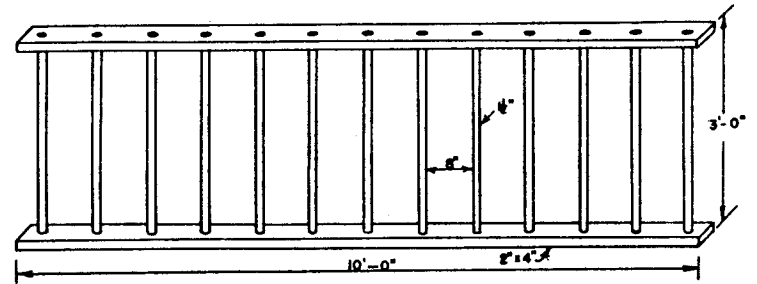
ORDER NO. 725-86

SHEET 1 OF 1

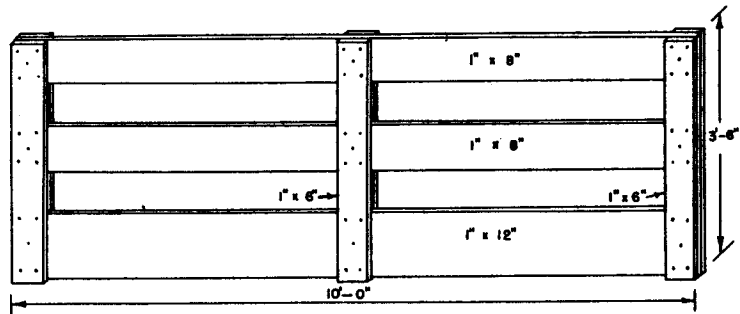
ADAPTED FROM U.S.D.A. PLAN NO. 5802



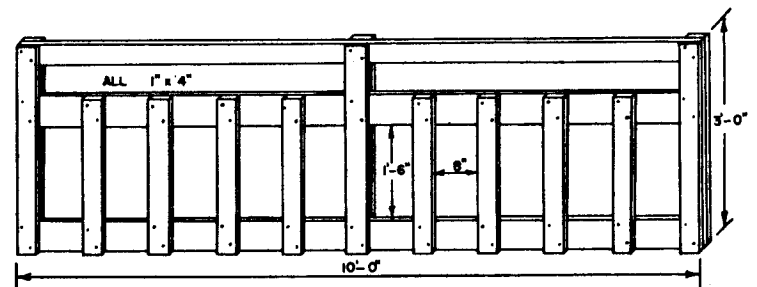
PANEL FOR EWES



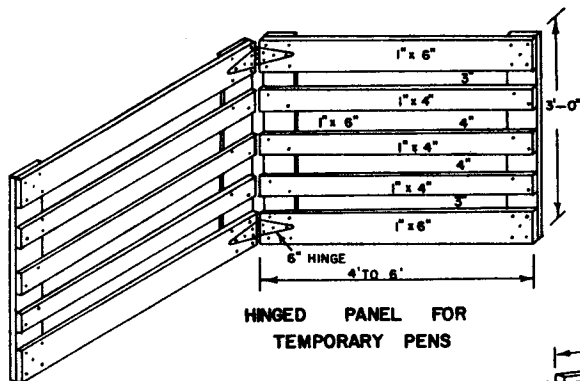
CREEP PANEL



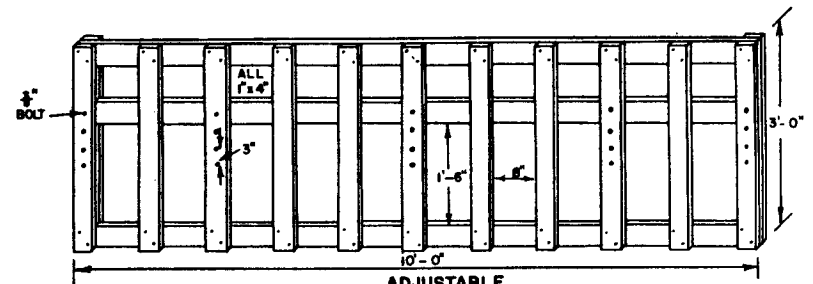
PANEL FOR LAMBS



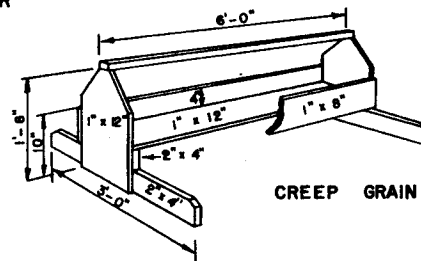
PANEL FOR CREEP FEEDING



HINGED PANEL FOR
TEMPORARY PENS



ADJUSTABLE
PANEL FOR CREEP FEEDING



CREEP GRAIN TROUGH

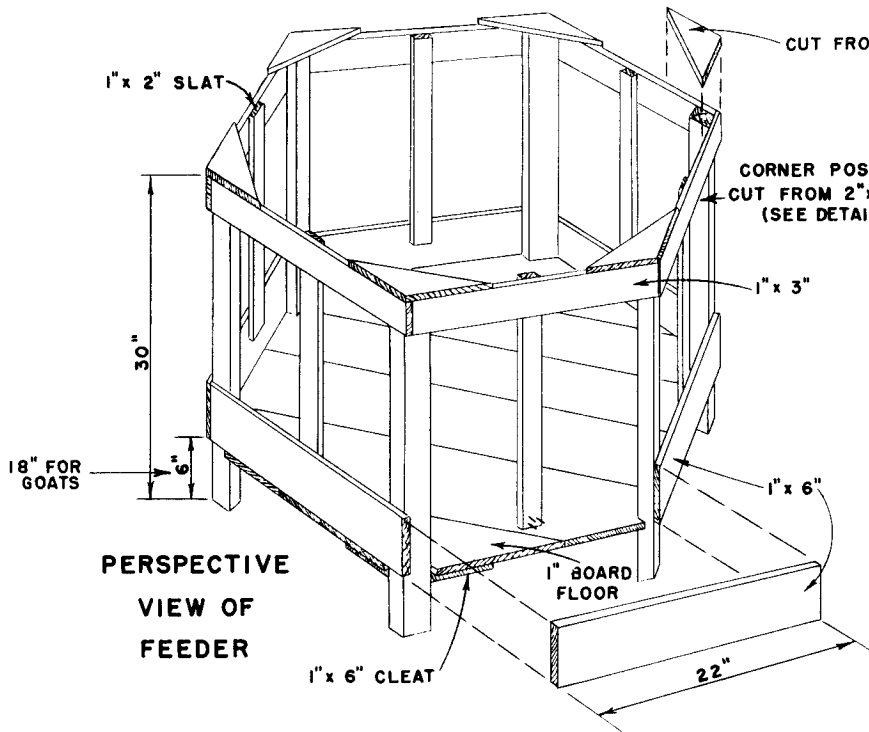
THE PENNSYLVANIA STATE UNIVERSITY
AGRICULTURAL EXTENSION SERVICE

FENCING AND CREEP PANELS
FOR SHEEP

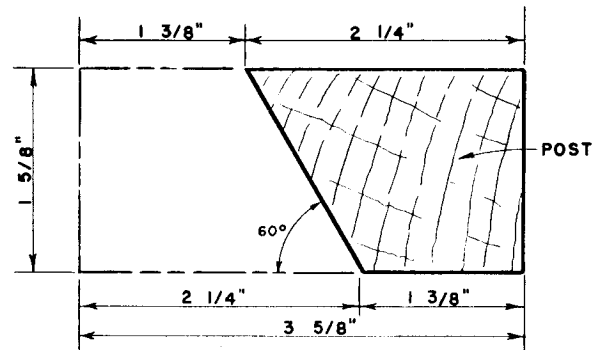
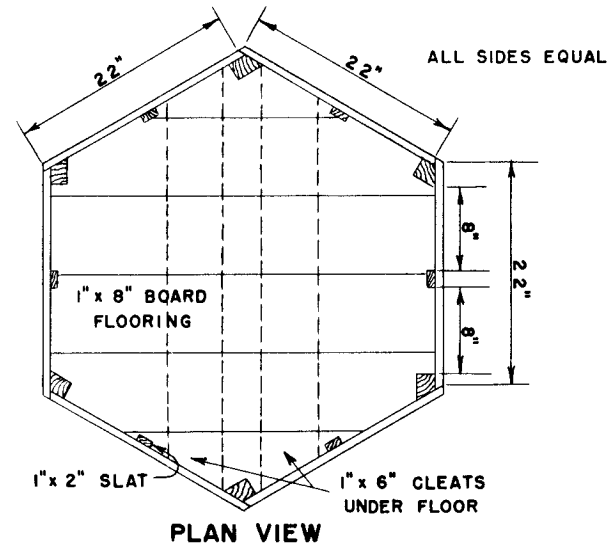
DRN BY: ARG
TRD BY: AKG
DATE: 5-74

ORDER NO.
725-60

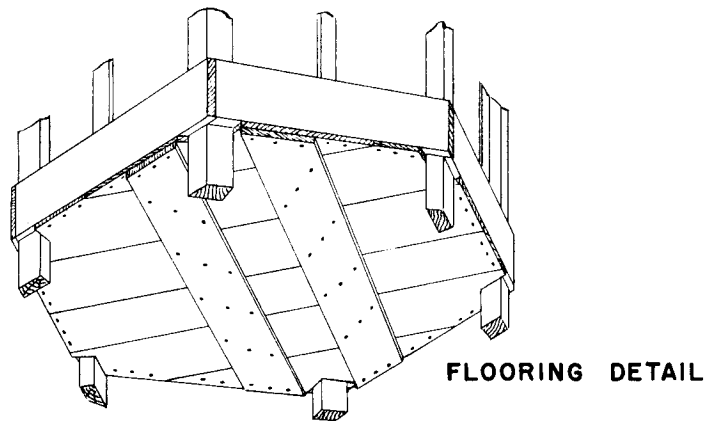
SHEET
1 OF 1



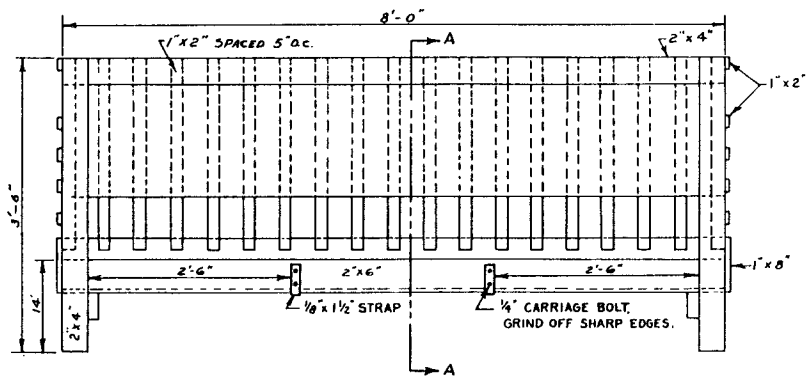
NOTE: (DOES) FOR SMALL EWES AND LAMBS, (KIDS) USE 1" x 6" VERTICAL SLATS INSTEAD OF 1" x 2" AS SHOWN.



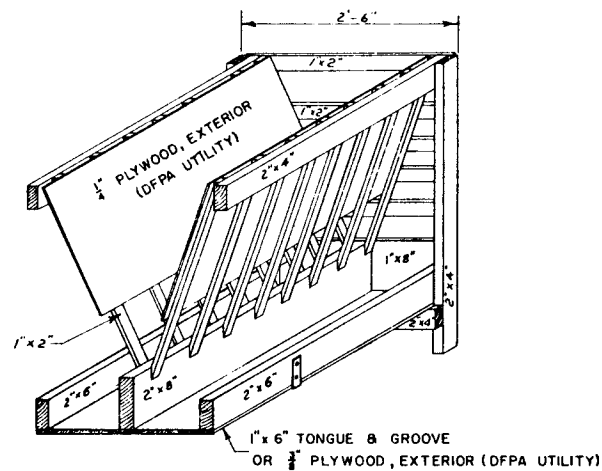
CORNER POST DETAIL
CUT TWO FROM DRESSED 2" x 4"



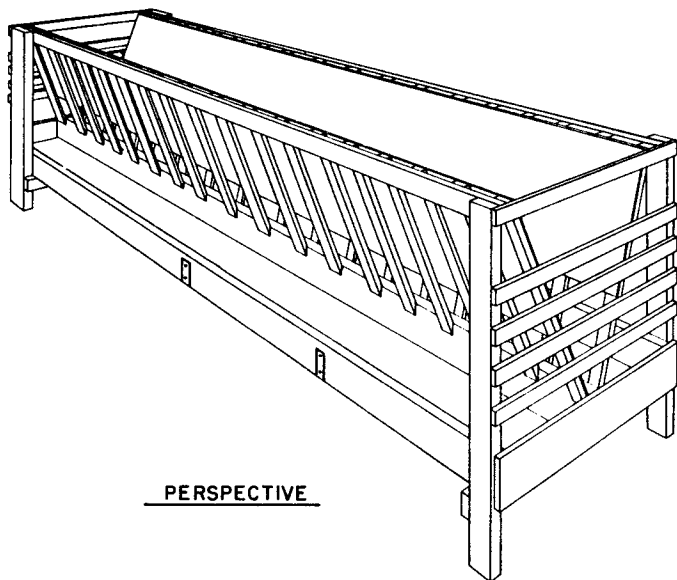
THE PENNSYLVANIA STATE UNIVERSITY AGRICULTURAL EXTENSION SERVICE	
HAY & GRAIN FEEDER FOR 12 SHEEP OR GOATS ADAPTED FROM U.S.D.A. PLAN EX. 5807	
ORDER NO. 725-80	SHEET 1 OF 1



SIDE ELEVATION



ISOMETRIC VIEW
THRU SECTION A-A



PERSPECTIVE

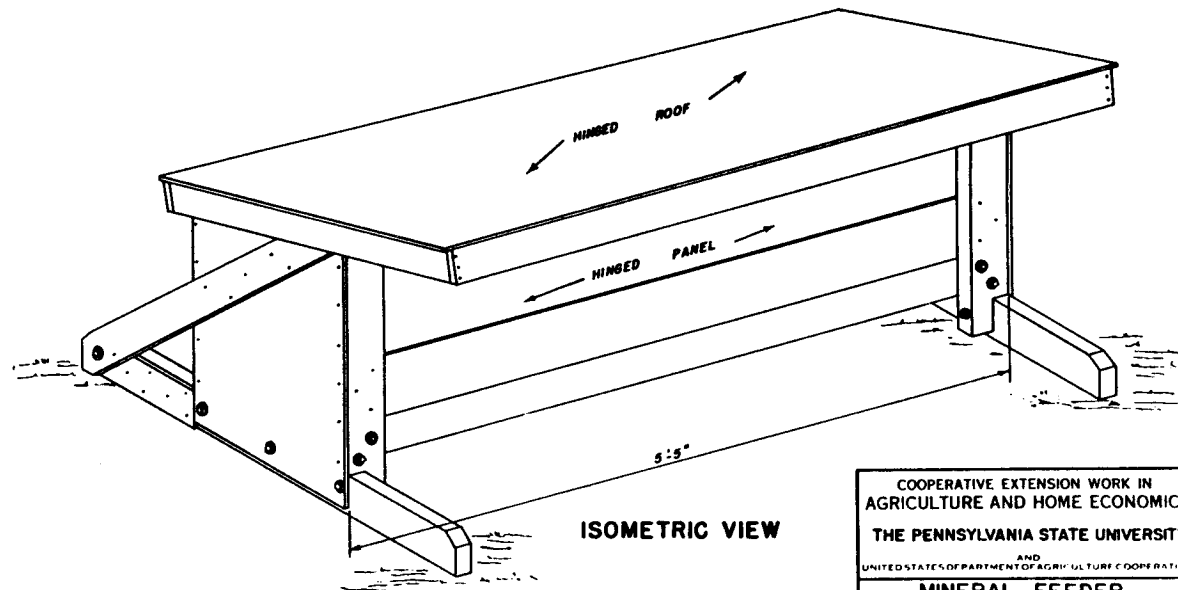
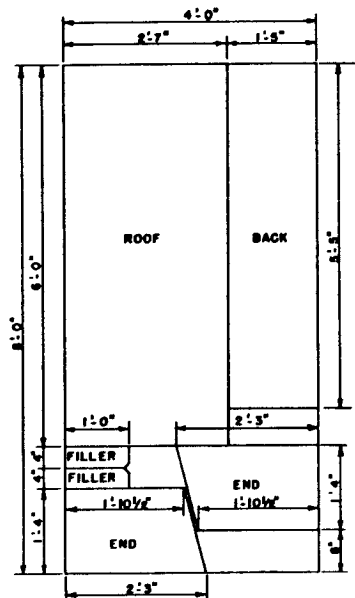
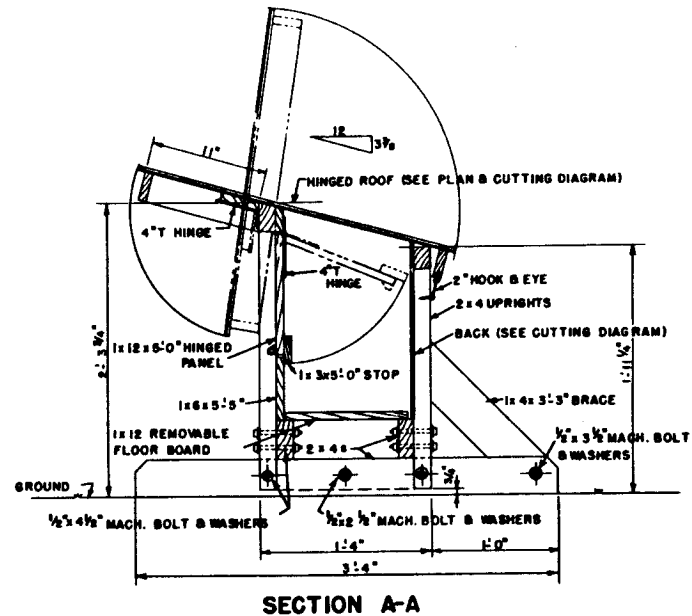
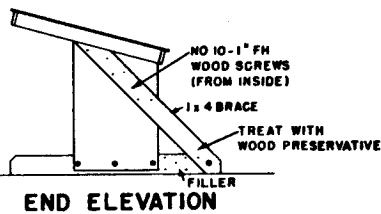
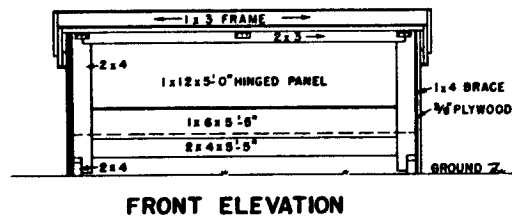
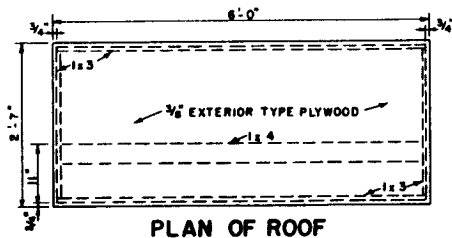
THE PENNSYLVANIA STATE UNIVERSITY
AGRICULTURAL EXTENSION SERVICE

HAY FEED RACK FOR SHEEP

ORDER NO. 725 - 82

SHEET 1 OF 1

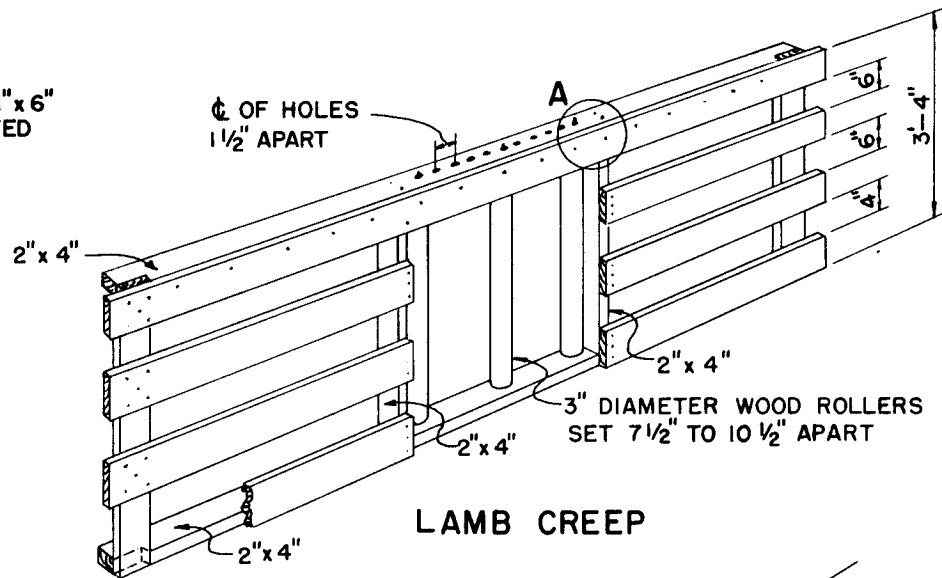
REVISED FEB., 1960



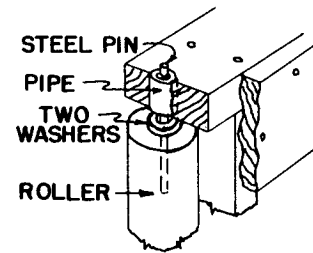
COOPERATIVE EXTENSION WORK IN AGRICULTURE AND HOME ECONOMICS		
THE PENNSYLVANIA STATE UNIVERSITY		
AND UNITED STATES DEPARTMENT OF AGRICULTURE COOPERATING		
MINERAL FEEDER FOR SHEEP		
USDA '60	EX 5916	SHEET 1 OF 1
ORDER NO. 725-5916		

NOTE:

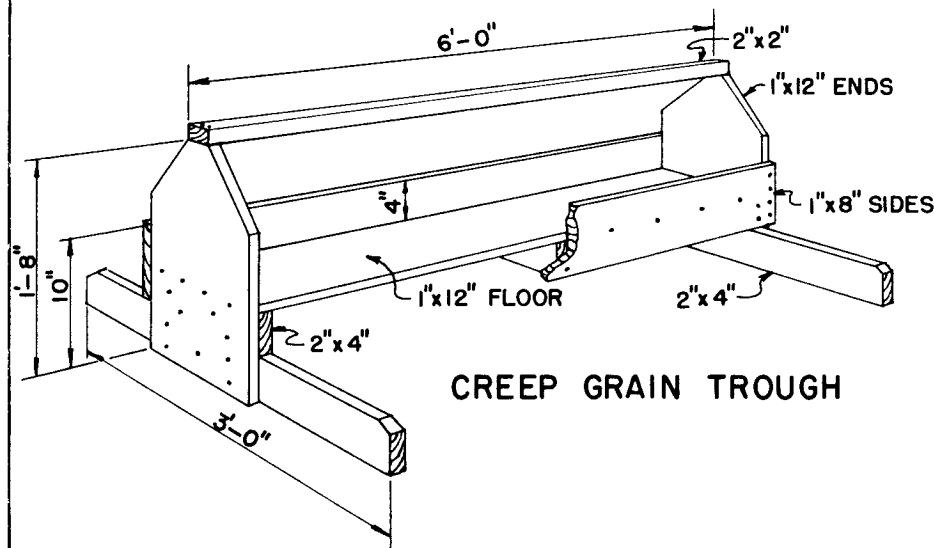
ALL PARTS 1"x6"
EXCEPT AS NOTED



LAMB CREEP



DETAIL A



CREEP GRAIN TROUGH

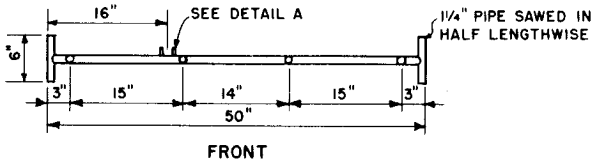
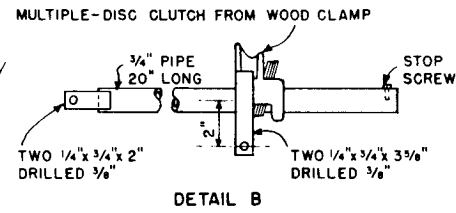
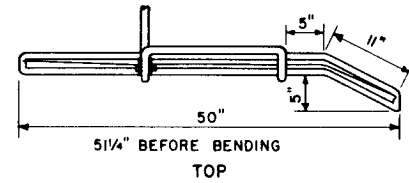
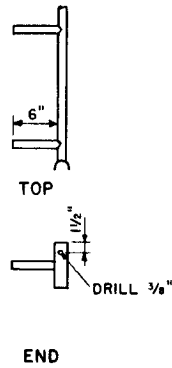
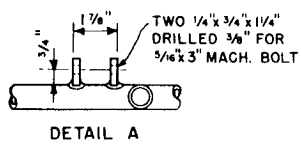
THE PENNSYLVANIA STATE UNIVERSITY
AGRICULTURAL EXTENSION SERVICE

CREEP AND GRAIN TROUGH
FOR LAMBS

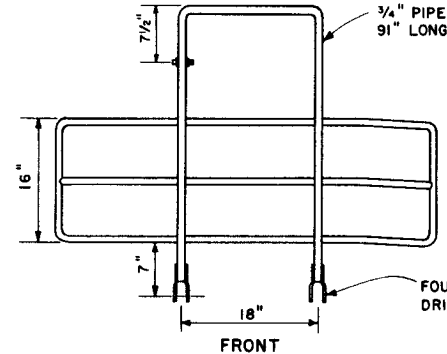
ORDER NO. 725-87

SHEET 1 OF 1

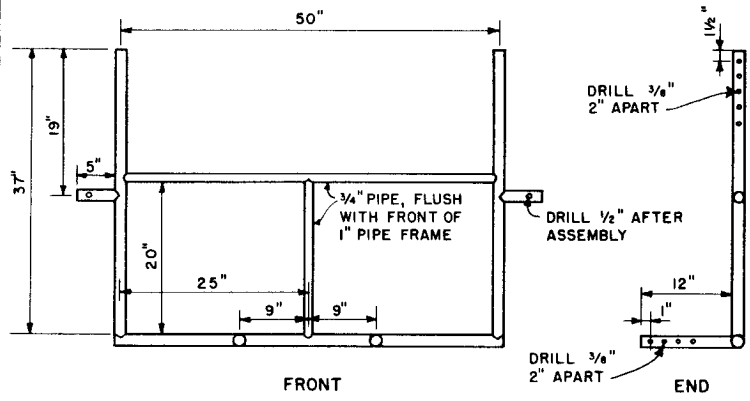
ADAPTED FROM U.S.D.A. PLAN NO. 5802



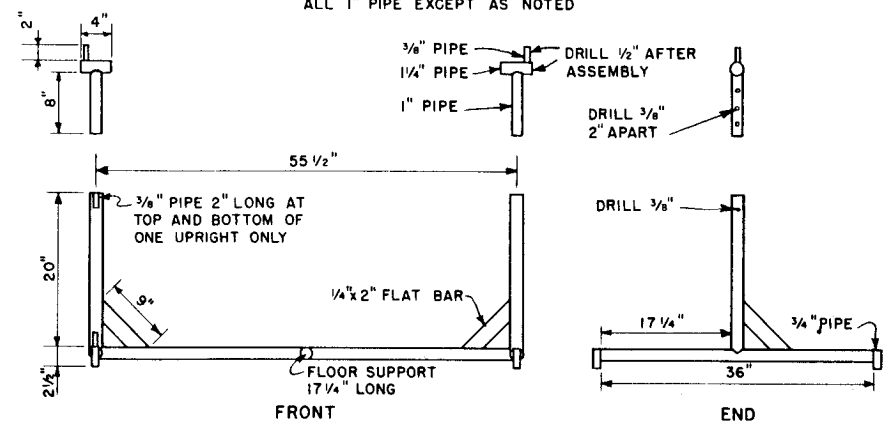
TOP PANEL FRAME
ALL 3/4" PIPE EXCEPT AS NOTED



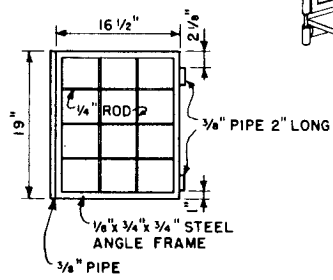
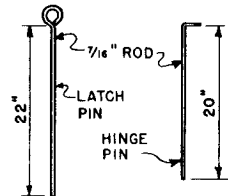
SQUEEZE PANEL
ALL 1/2" PIPE EXCEPT AS NOTED



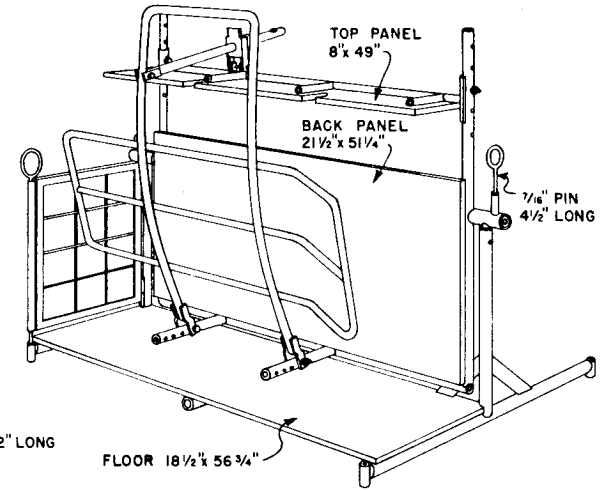
BACK PANEL FRAME
ALL 1" PIPE EXCEPT AS NOTED



BASE FRAME
ALL 1 1/4" PIPE EXCEPT AS NOTED



CHUTE GATE



PERSPECTIVE

NOTE: ALL PIPES ARE STANDARD SIZE
ALL JOINTS ARE WELDED

PANELS AND FLOOR ARE 1/2" EXTERIOR PLYWOOD,
FASTENED WITH 1/4" CARRIAGE BOLTS
USE 3/8" MACHINE BOLTS IN 3/8" HOLES

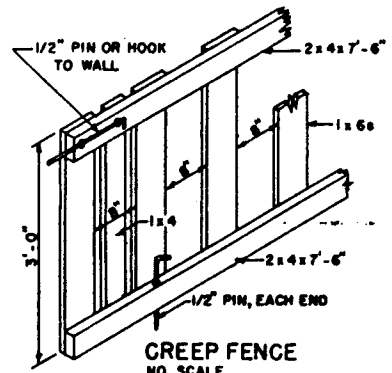
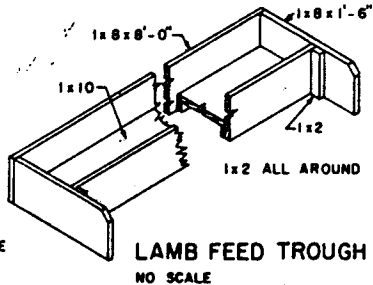
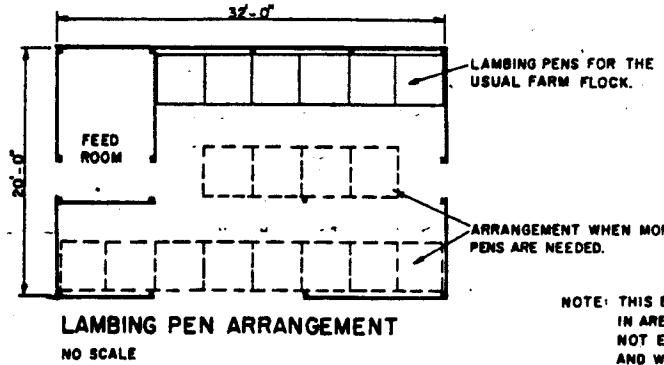
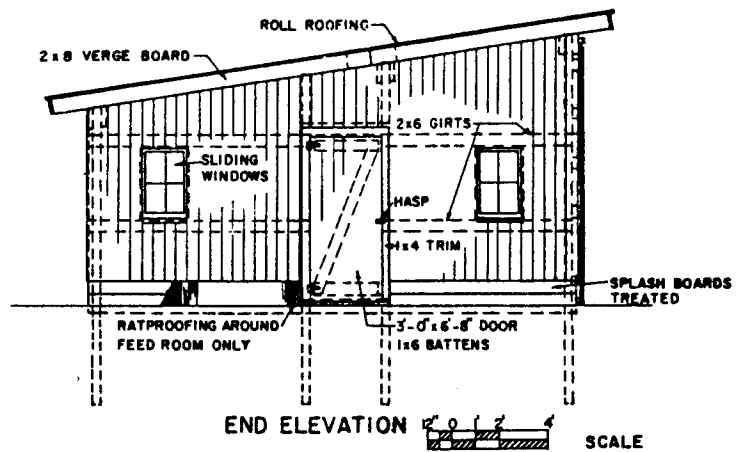
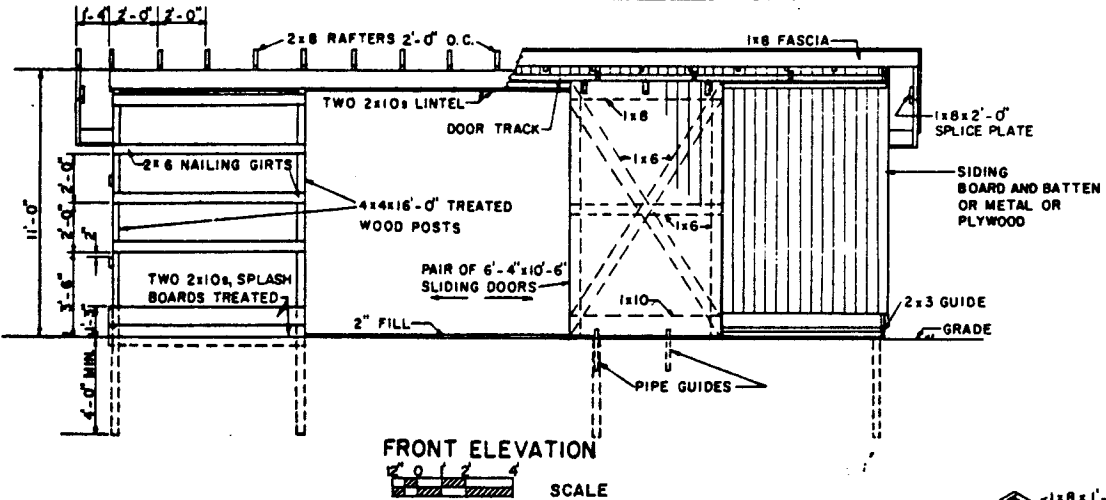
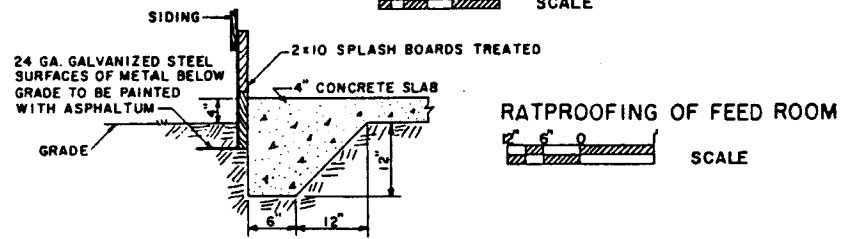
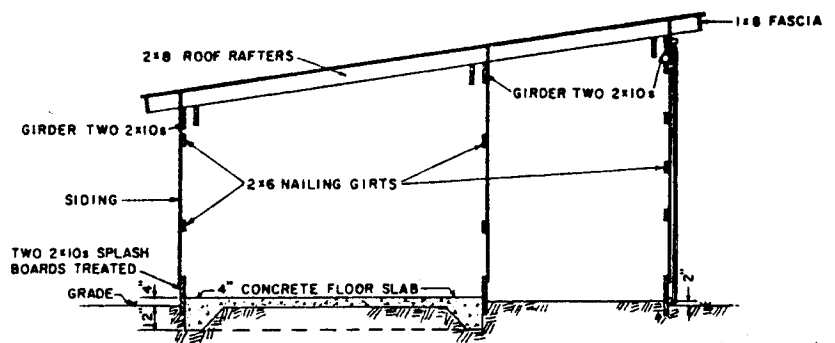
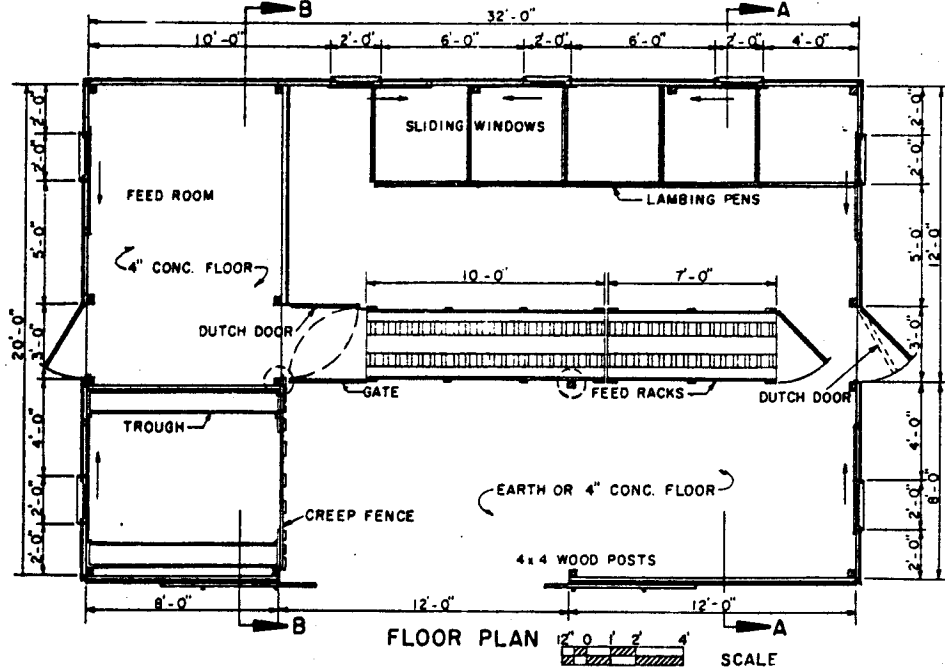
COOPERATIVE EXTENSION WORK IN
AGRICULTURE AND HOME ECONOMICS

THE PENNSYLVANIA STATE UNIVERSITY

AND
UNITED STATES DEPARTMENT OF AGRICULTURE COOPERATING

TILTING SQUEEZE FOR SHEEP

ORE.	'67	EX. 6006	SHEET 1 OF 1
ORDER NO. 725-6006			

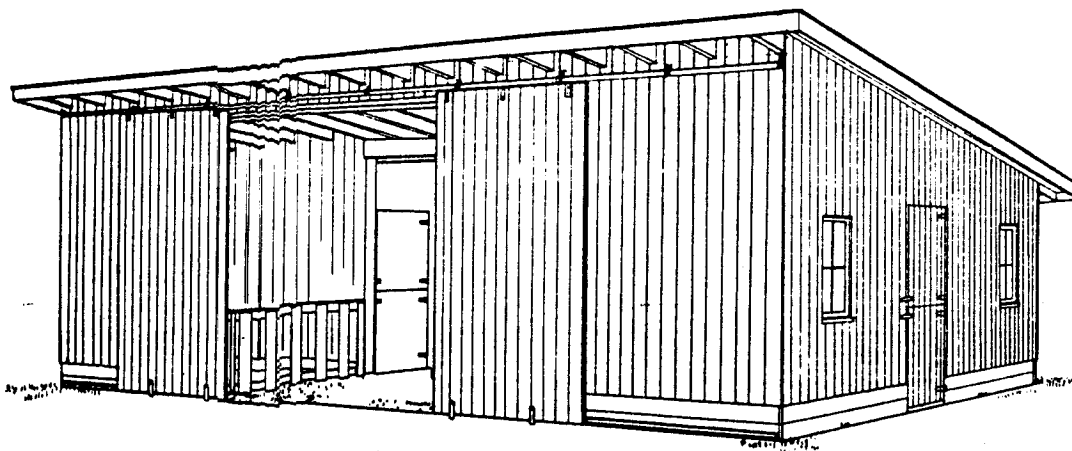


NOTE: THIS BUILDING IS DESIGNED FOR USE IN AREAS WHERE THE SNOW LOAD DOES NOT EXCEED 35 LBS. PER SQUARE FOOT AND WINDS ARE NOT ABOVE 76 MILES PER HOUR.

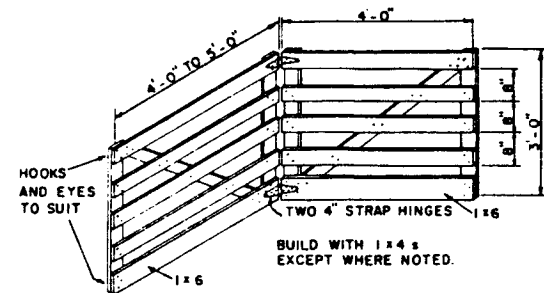
COOPERATIVE EXTENSION SERVICE
AGRICULTURE AND HOME ECONOMICS
The Pa. State University
AND
UNITED STATES DEPARTMENT OF AGRICULTURE COOPERATING

SHEEP AND LAMBING SHED

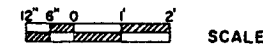
USDA '61 5919 SHEET 1 OF 2
REVISED '84 725-5919



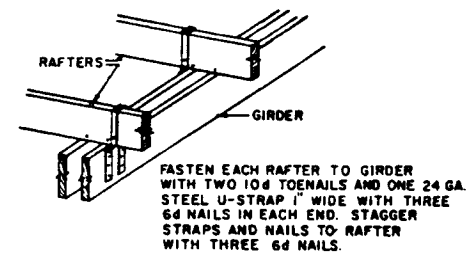
PERSPECTIVE VIEW
OF COMPLETED SHED



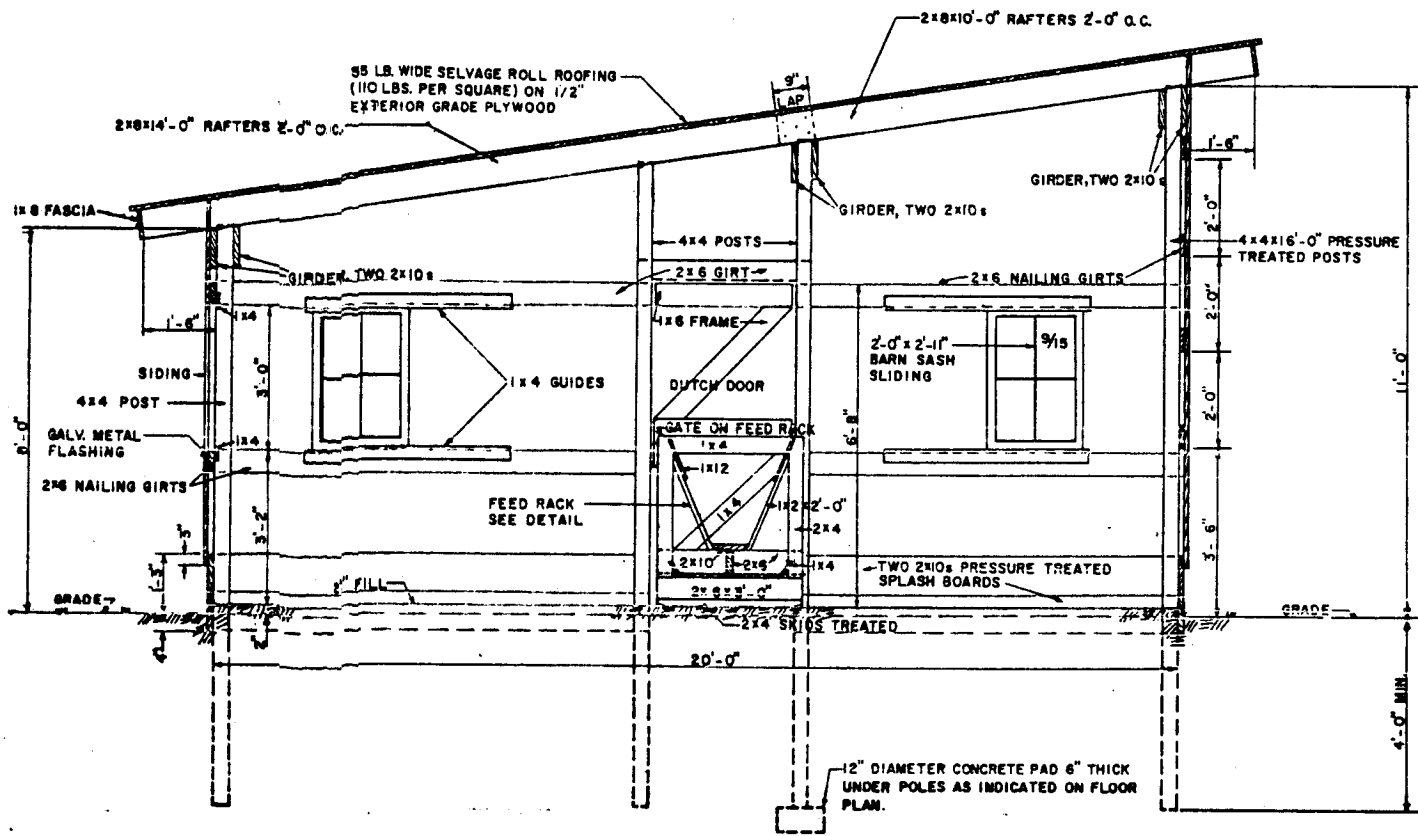
HINGED PANELS FOR TEMPORARY
LAMBING PENS



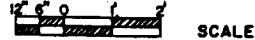
SCALE



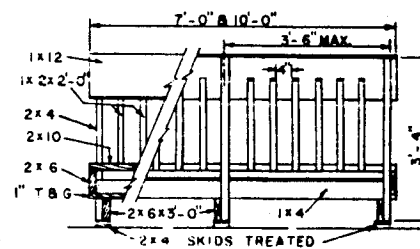
NAILING DETAIL
NO SCALE



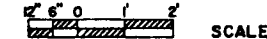
SECTION A-A



SCALE



DETAIL ELEVATION OF FEED RACKS

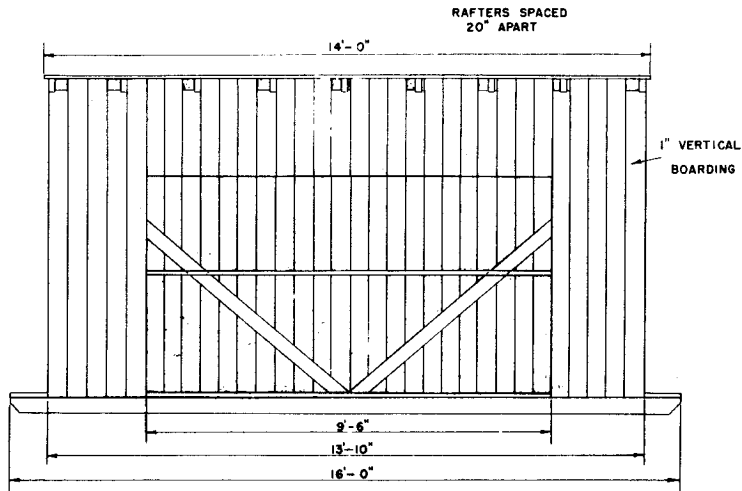


SCALE

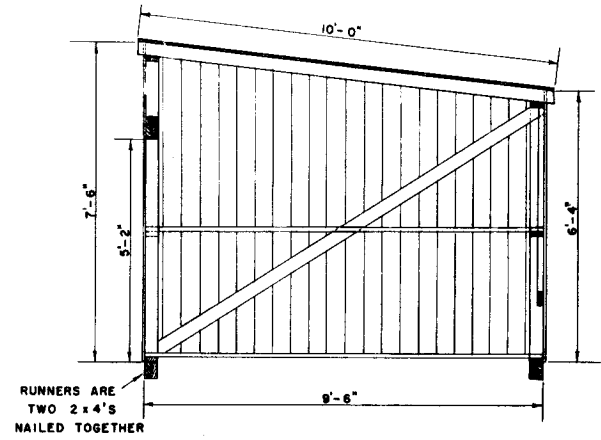
COOPERATIVE EXTENSION WORK IN
AGRICULTURE AND HOME ECONOMICS
The Pa. State University
AND
UNITED STATES DEPARTMENT OF AGRICULTURE COOPERATING

SHEEP AND LAMBING SHED

USDA 61 EX-5919 SHEET 2 OF 2
REVISED '84 725-5919

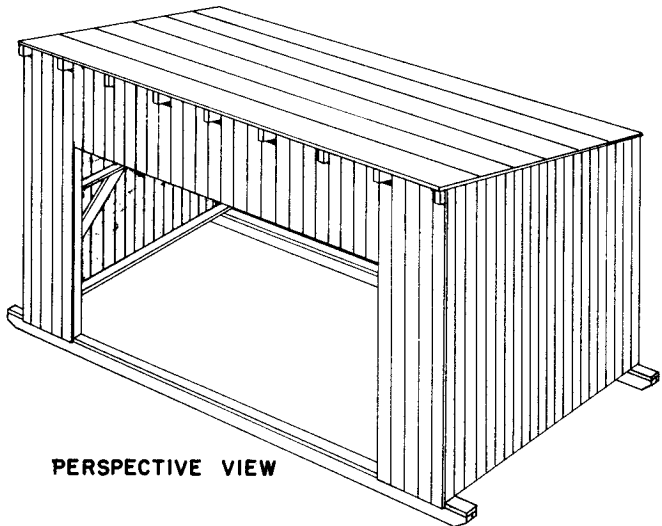


FRONT VIEW

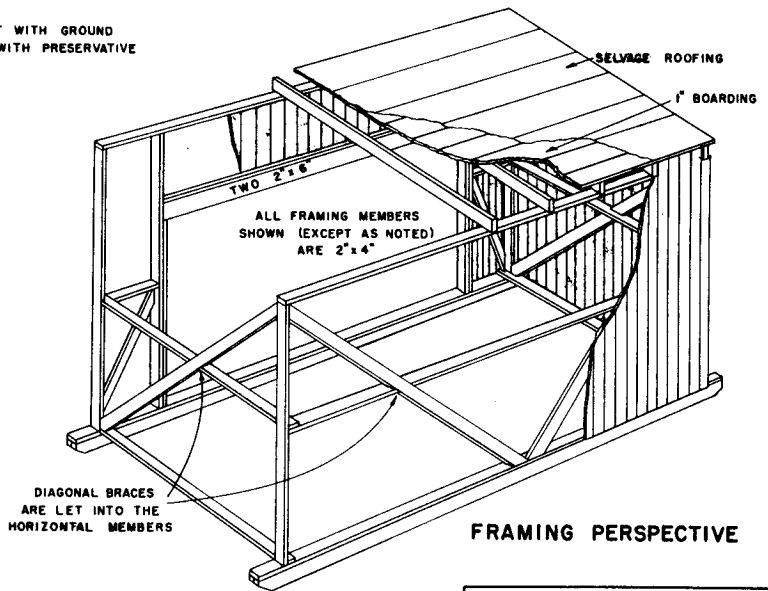


CROSS-SECTIONAL VIEW

NOTE:
ALL WOOD IN CONTACT WITH GROUND
SHOULD BE TREATED WITH PRESERVATIVE



PERSPECTIVE VIEW



FRAMING PERSPECTIVE

THE PENNSYLVANIA STATE UNIVERSITY AGRICULTURAL EXTENSION SERVICE	
Portable Shelter	
ORDER NO.	SHEET 1 OF 1