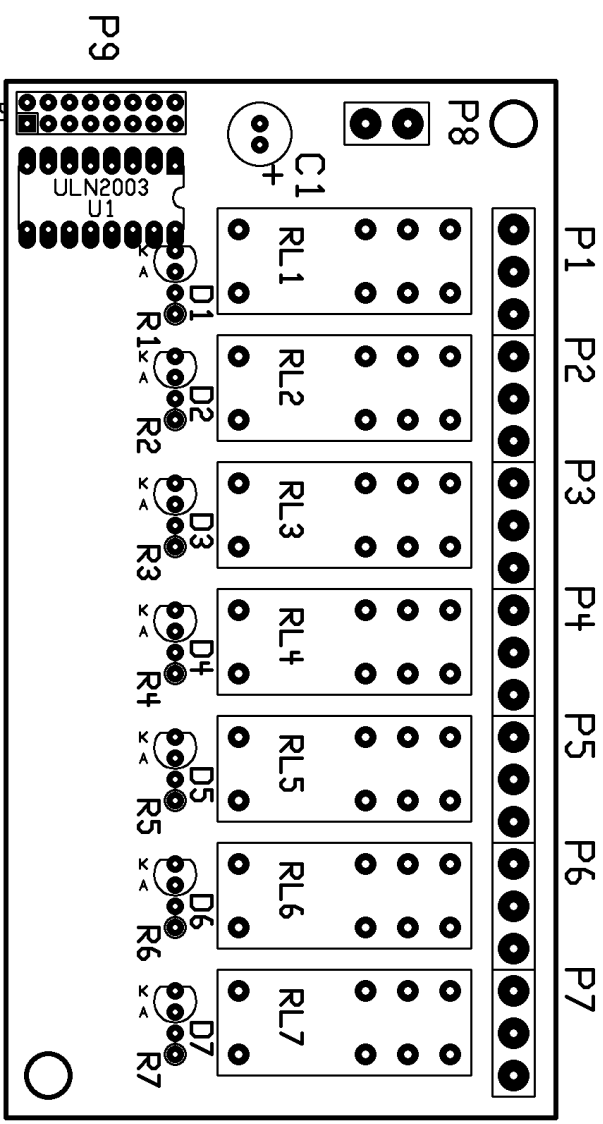


Tool Code	Hole Size	Sym bol	Hole Count

Board type: FR4  
 Board thickness: .062"  
 Copper weight: 2oz  
 Layer count: 2



Co:	www.salvittiti.it
Title:	PRESEPIO ELETRONICO
Board:	RELE INT.
Drawn:	Sergio Salvitti
Date:	10/01/2002
Revision:	A
Size:	A
Sheet	1 of 1