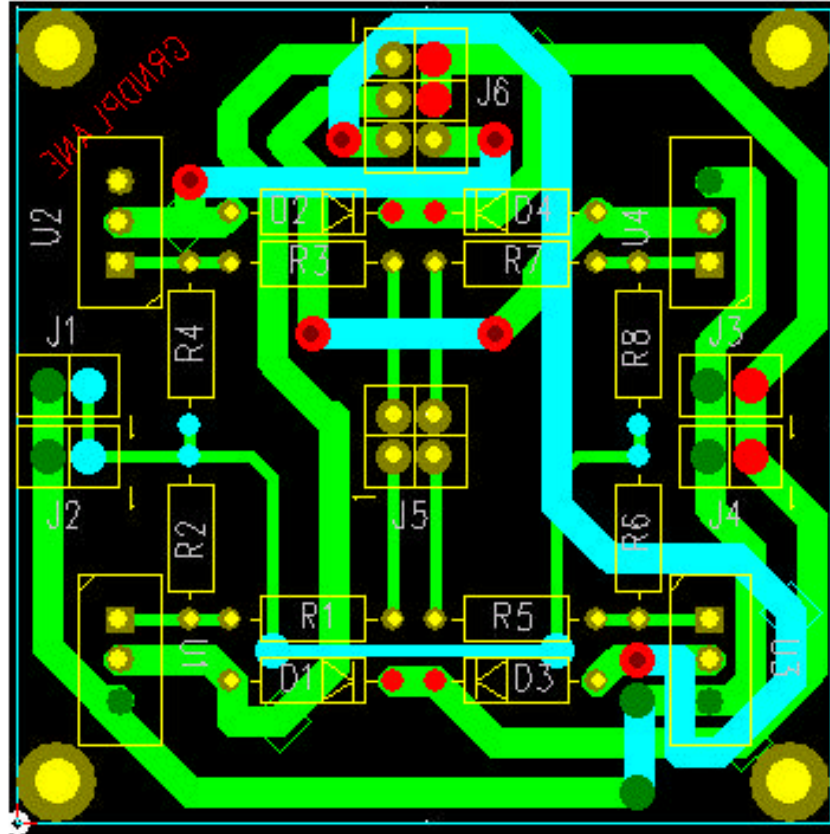


# Stepper Motor Driver



You are looking thru the PCB from the top, as thow it was made of glass. Note : Blue routes will be wire jumpers used on the top of the board.

I have tested this board, and it works fine, but like anything that is free there is NO WARRANTY. Have fun.

- 1) Schematic
- 2) Bill of Materials (BOM)
- 3) Bottom copper not mirrored ( Use if your using Press-N-Peel or similar product to etch board )
- 4) Bottom Copper mirrored ( Use if your using Ultraviolet exposure PCB )
- 5) Top Silkscreen mirrored ( Print on paper with a laser printer, flip upside down and iron on PCB. )

6

5

4

3

2

1

D

C

B

A

D

C

B

A

REVISION RECORD			
LTR	ECO NO:	APPROVED:	DATE:

4-BIT INPUT  
FROM MICROCONTROLLER

- BIT-1/ J5-1
- BIT-2/ J5-2
- BIT-3/ J5-3
- BIT-4/ J5-4

TOPVIEW  
PIN ORDER

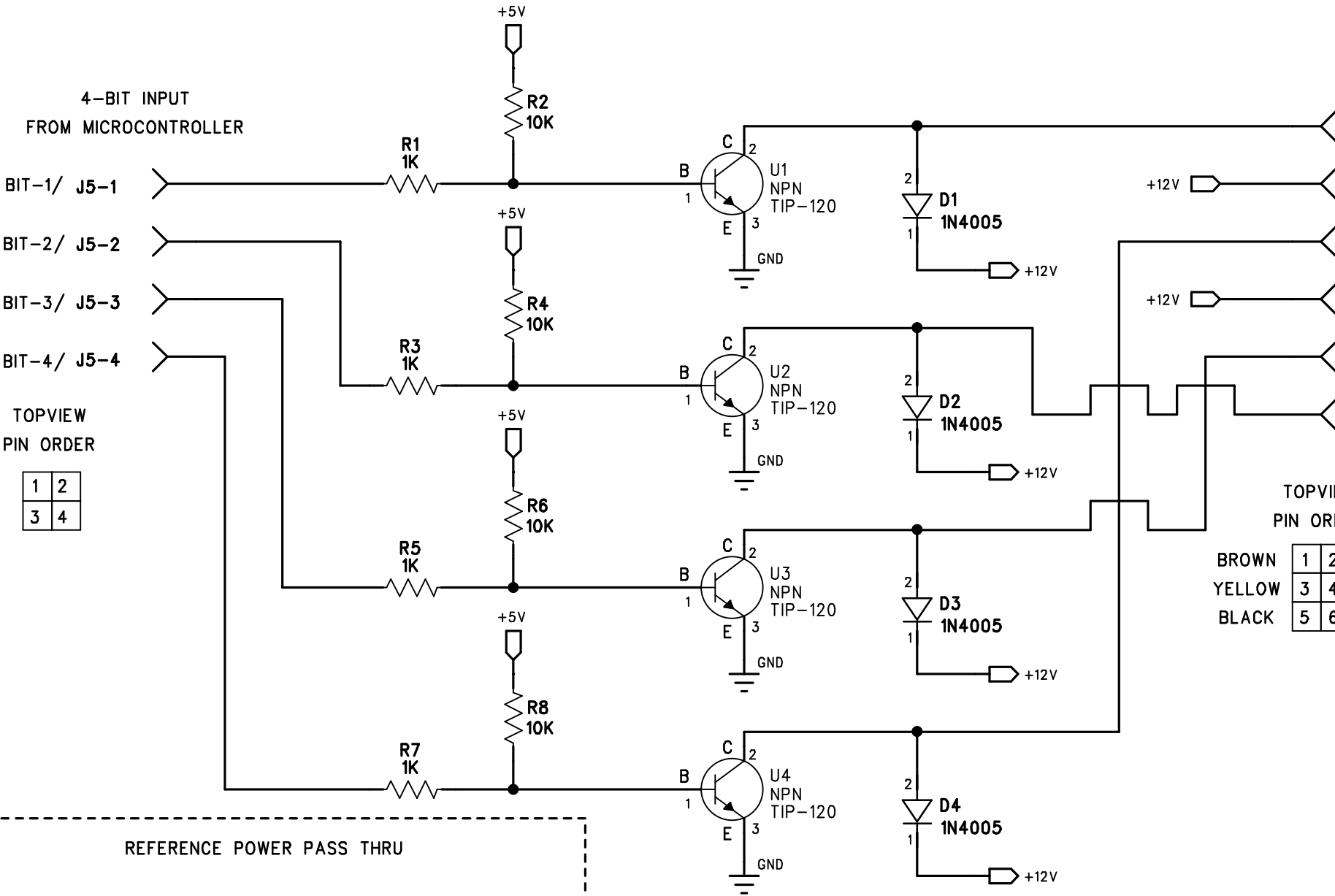
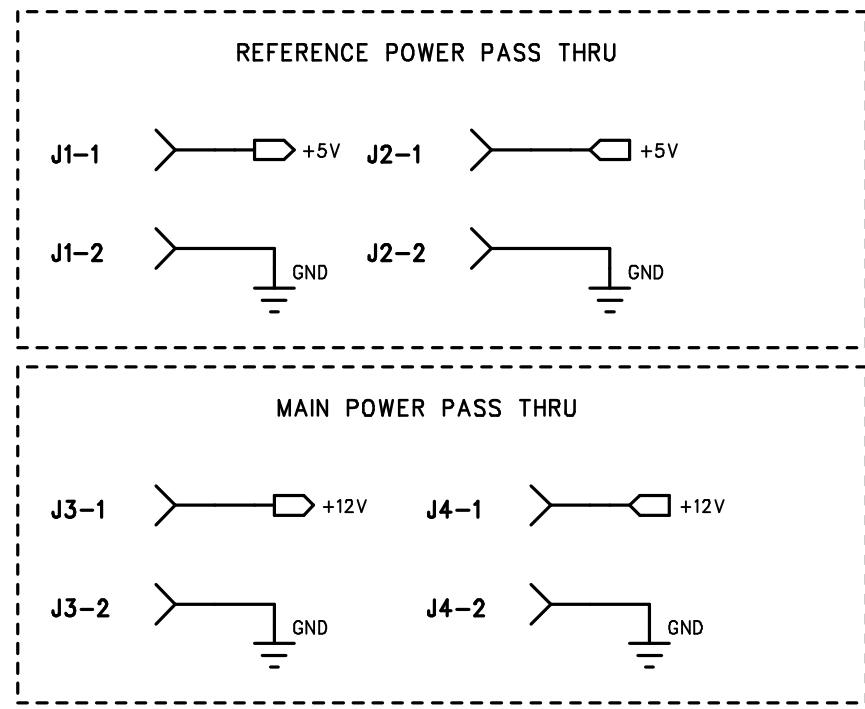
1	2
3	4

- J6-1 COIL1/BROWN
- J6-2 +12V/RED
- J6-3 COIL4/YELLOW
- J6-4 +12V/RED
- J6-5 COIL3/BLACK
- J6-6 COIL2/ORANGE

TOPVIEW  
PIN ORDER

BROWN	1	2	RED
YELLOW	3	4	RED
BLACK	5	6	ORANGE

JUMP

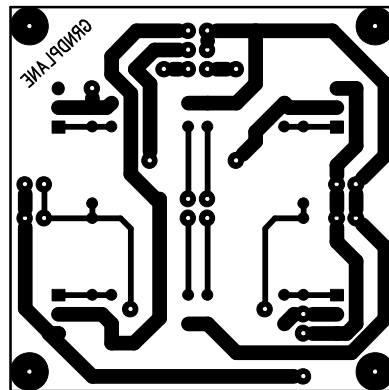


DRAWN: Michael Edwards	DATED: 3/4/99
CHECKED:	DATED:
QUALITY CONTROL:	DATED:
RELEASED:	DATED:

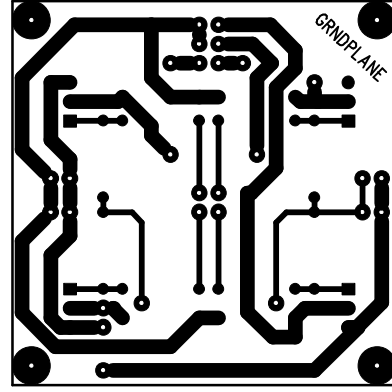
COMPANY: <b>GRNDPLANE INC.</b>			
TITLE: <b>SCH STEPPER MOTOR DRIVER</b>			
CODE:	SIZE: B	DRAWING NO:	REV: 3RD
FILE SAVED AS: MOTOR3RD.SCH			SHEET: 1 OF 1

## Bill Of Materials for Stepper Motor Driver

Qty	Ref	Description	Manufacturer	Description
4	D1-4	DIODE, 1N4005	1N4005	
4	J1-4	MOLEX-2PIN HEADER	N/A	
1	J5	MOLEX-4PIN HEADER	N/A	
1	J6	MOLEX-6PIN HEADER	N/A	
4	R2	RES, FILM, 1/8W, 50PPM, 0 1%	10K	
	R4	10Kohm		
	R6			
	R8			
4	R1	RES, FILM, 1/8W, 50PPM, 0 1%	1K	
	R3	1Kohm		
	R5			
	R7			
4	U1-4	TIP-120 NPN SWITCHING TRANSISTOR 5A	NPN	

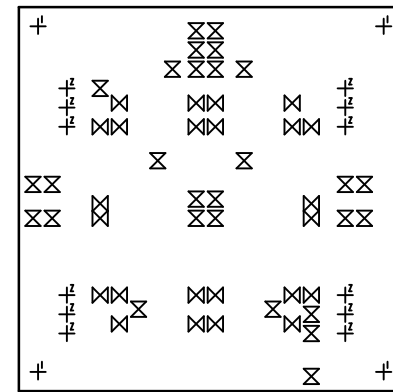


LEVEL 2  
Stepper Motor Driver  
ONLY BOTTOM COPPER NEEDED



ONLY BOTTOM COPPER NEEDED, Mirrored  
Stepper Motor Driver  
LEVEL 2

SIZE	QTY	SYM	PLTD
39	28	⊗	PLTD
30	24	⊗	PLTD
110	4	I	PLTD
45	12	Z	PLTD



Drill Chart  
Stepper Motor Driver



