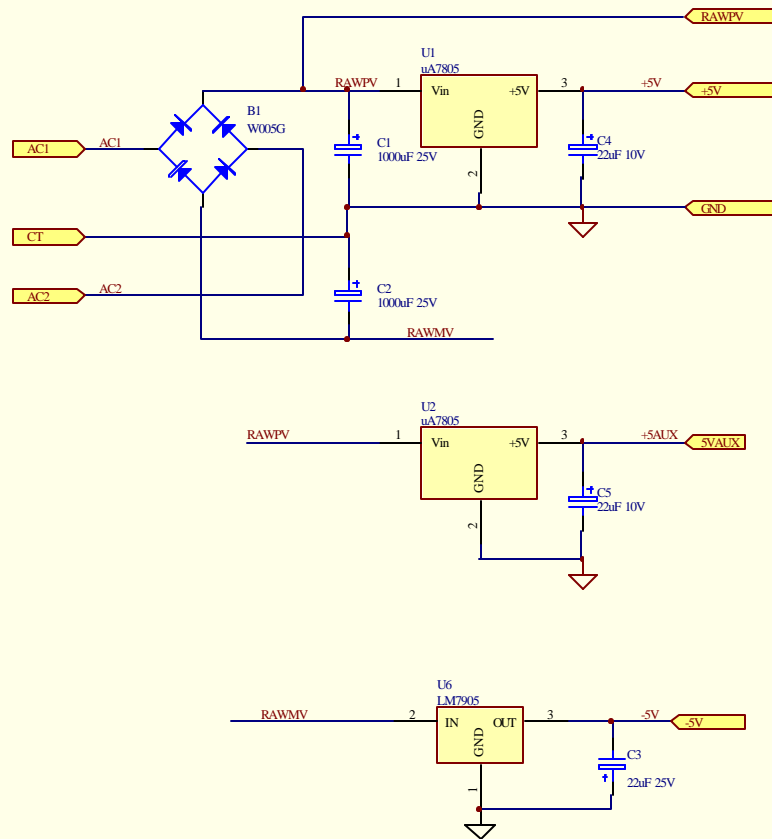
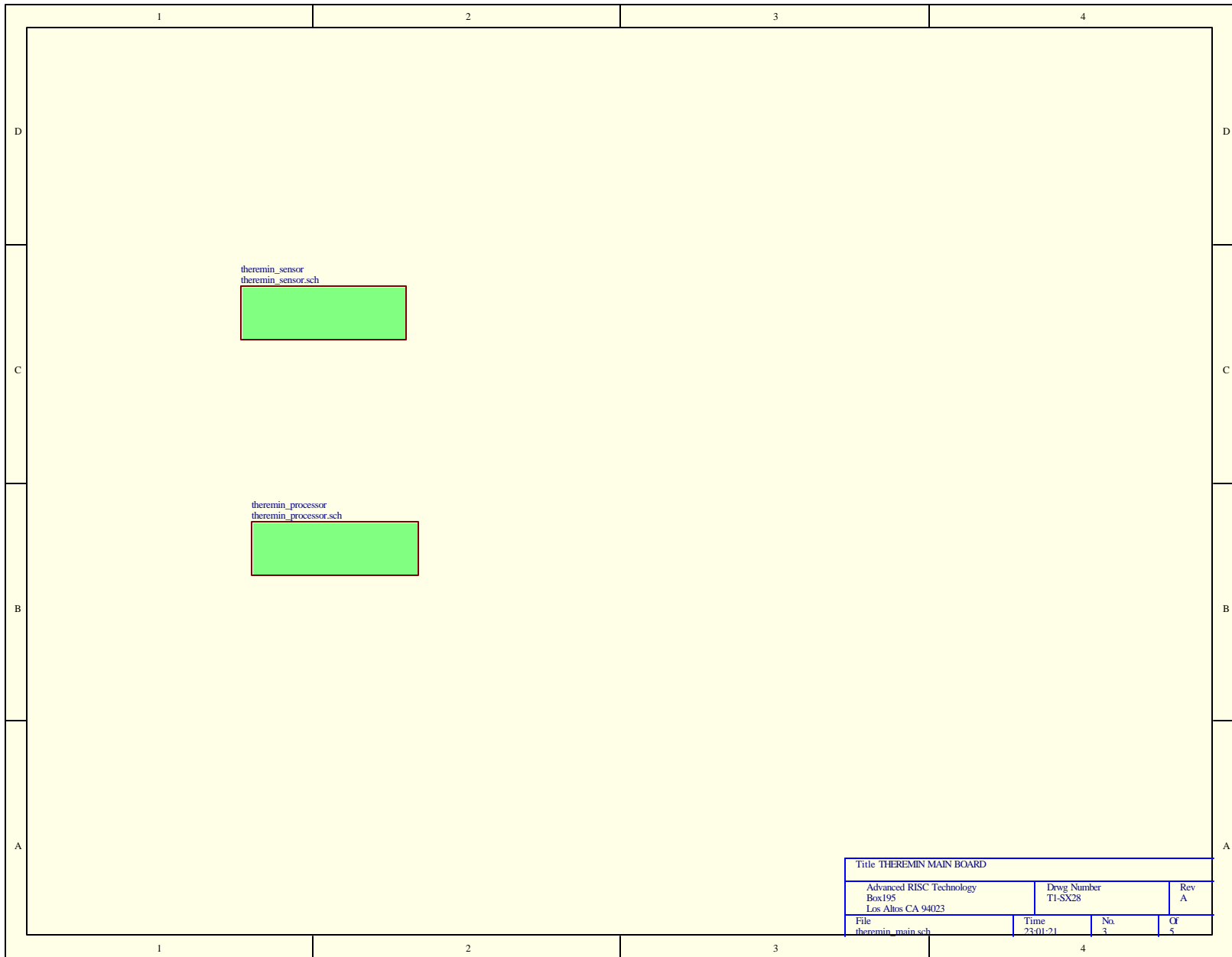


Title INFRARED THEREMIN PROJECT			
Advanced RISC Technology Box195 Los Altos CA 94023		Dwg Number TI-SX28	Rev A
File theremin.sch	Time 23:01:20	No. 1	Of 5

12.6V CT TRANSFORMER INPUT



Title Regulator Board			
Advanced RISC Technology Box 195 Los Altos CA 94023	Dwg Number TI-SX28	Rev 1	
File thermin_reg.sch	Time 23:01:21	No. 2	Of 5



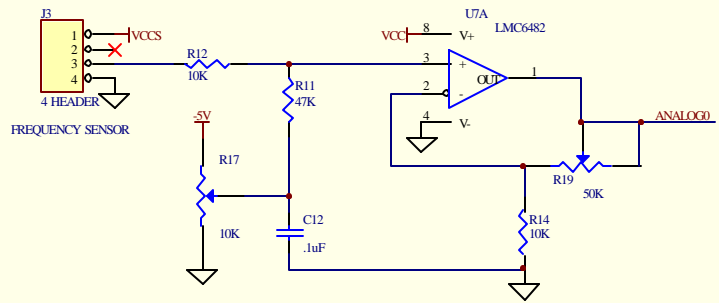
theremin_sensor
theremin_sensor.sch



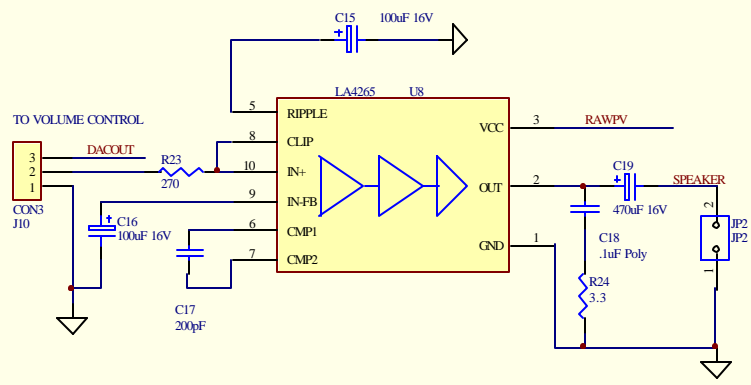
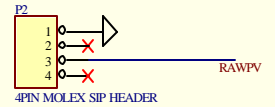
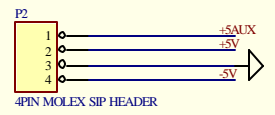
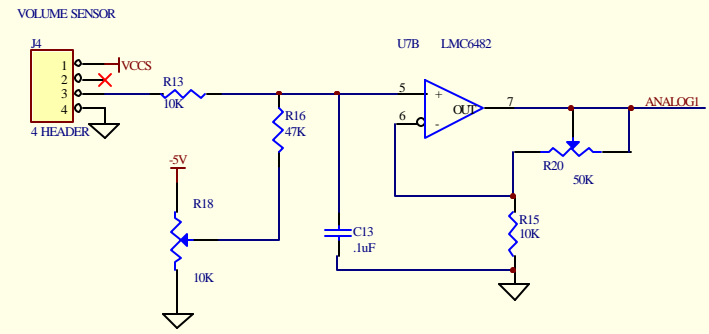
theremin_processor
theremin_processor.sch



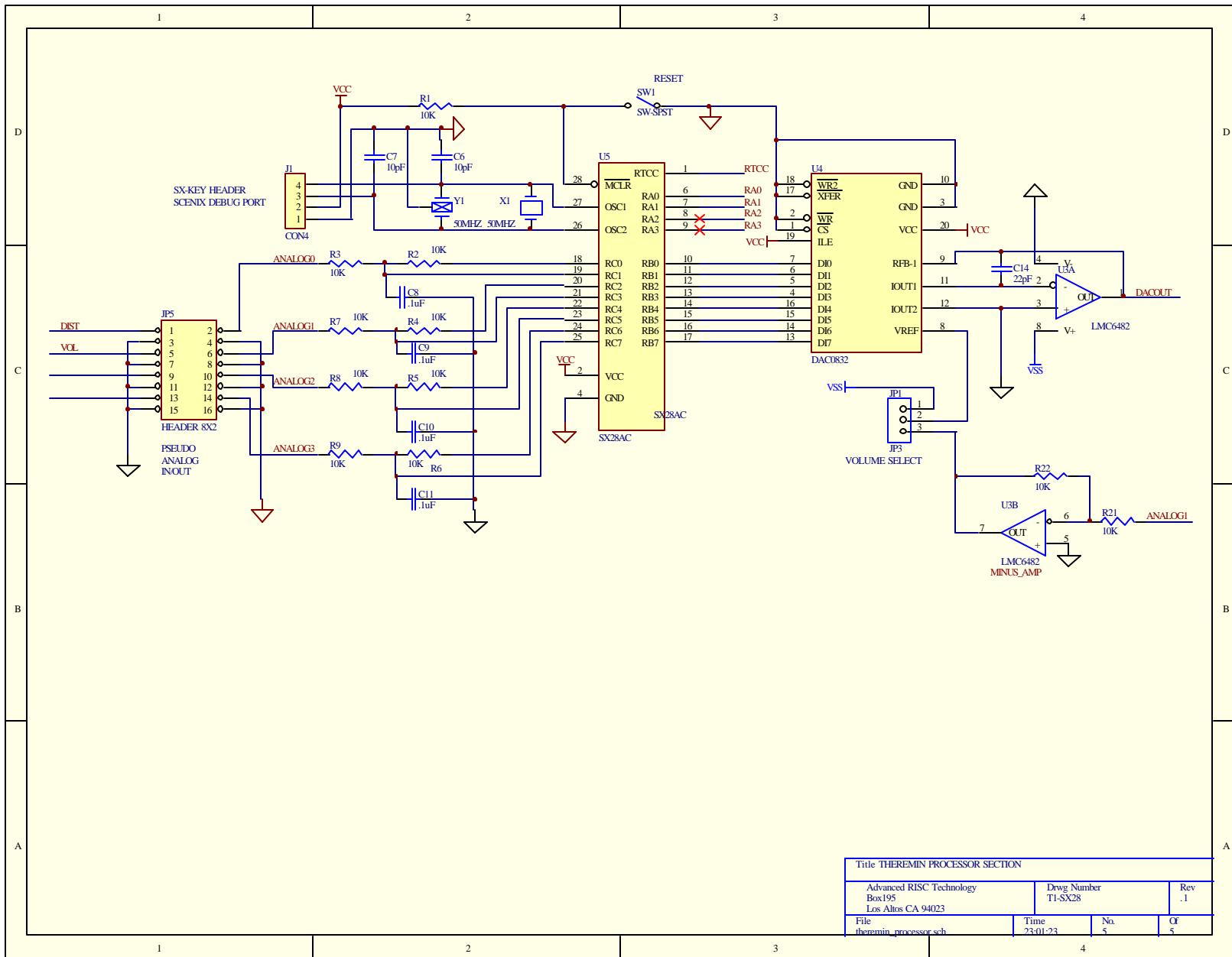
Title THEREMIN MAIN BOARD			
Advanced RISC Technology Box195 Los Altos CA 94023		Dwg Number TI-SX28	Rev A
File theremin_main.sch	Time 23:01:21	No. 3	Of 5



SHARP GP12D2 IR DISTANCE SENSORS



Title THERMIN SENSOR AMPLIFIERS			
Advanced RISC Technology Box195 Los Altos CA 94023		Dwg Number T1-SX28	Rev .1
File thermin_sensor.sch	Time 23:01:22	No. 2	Cf 2



Title THEREMIN PROCESSOR SECTION			
Advanced RISC Technology Box195 Los Altos CA 94023		Dwg Number T1-SX28	Rev .1
File theremin_processor.sch	Time 23:01:23	No. 5	Of 5